

ROOF DRAIN

868 series

SPECIFICATION

Sioux Chief 868 series roof drain shall be used where necessary in drainage systems. Drain shall have U.V. resistant polyethylene, or epoxy-coated aluminum dome strainer, and epoxy-coated aluminum gravel guard/flashing clamp. Drain body shall have a cast iron No-Hub connection. Connection to drainage system shall be made with No-Hub coupling to cast iron pipe. Designed in accordance with ASME A112.6.4-2003

MATERIALS

dome strainer: polyethylene, epoxy-coated aluminum
gravel guard/flashing clamp: epoxy-coated aluminum
drain body: enamel-coated cast iron

STRAINER FREE-AREA

49.65 in²

CONNECTION TYPE

cast iron No-Hub

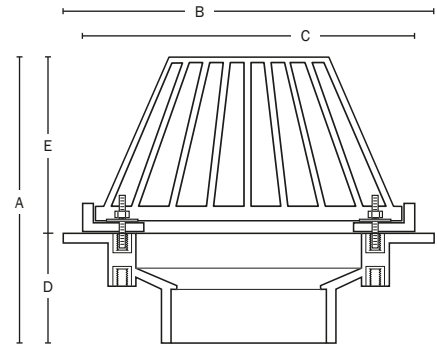
DIMENSIONS

A: overall height 8 1/2"
 B: overall diameter 10 3/8"
 C: collar/clamp diameter 10 1/4"
 D: body height 3 1/2"
 E: elevation 5 1/4"

Item # Submitted	_____
Job Name	_____
Location	_____
Engineer	_____
Contractor	_____
PO#	_____ TAG _____



868-i4M



Create Item Number

868- A B

e.g. 868-i4MUS = Roof drain with 4" cast iron No-Hub connection, aluminum dome strainer, underdeck clamp kit, and sump receiver

A	CONNECTION SIZE	B	OPTIONS		ACCESSORIES
<input type="checkbox"/>	i3 3" No-Hub	<input type="checkbox"/>	M epoxy-coated aluminum dome strainer ¹	<input type="checkbox"/>	868-MC Epoxy-coated aluminum gravel guard/flashing clamp
<input type="checkbox"/>	i4 4" No-Hub	<input type="checkbox"/>	V vandal-resistant dome screws	<input type="checkbox"/>	868-WD Epoxy-coated aluminum 2 3/16" external water dam
<input type="checkbox"/>	i6 6" No-Hub	<input type="checkbox"/>	W 2 3/16" external water dam	<input type="checkbox"/>	868-C Underdeck clamp kit
		<input type="checkbox"/>	P screen-wrap for dome strainer	<input type="checkbox"/>	868-E Extension collar kit
		<input type="checkbox"/>	STP2 2" internal stand-pipe	<input type="checkbox"/>	868-S Sump receiver
		<input type="checkbox"/>	U underdeck clamp kit		
		<input type="checkbox"/>	E extension collar kit		
		<input type="checkbox"/>	S 16" diameter sump receiver		

¹ Poly dome strainer is standard unless otherwise specified