



Installation and Operation Instructions for **THE FT SERIES**

Wall-Mounted, Modulating
Gas, Condensing, Heating Only, Boiler

Model FTHW 80,000 BTU/hr
 100,000 BTU/hr
 120,000 BTU/hr
 140,000 BTU/hr
 199,000 BTU/hr



- Natural Gas (NG) - Factory Configuration
- Propane Gas (LP) - Field-Convertible

FOR YOUR SAFETY: This product must be installed and serviced by a professional service technician, qualified in hot water boiler and heater installation and maintenance. Improper installation and/or operation could create carbon monoxide gas in flue gases which could cause serious injury, property damage, or death. Improper installation and/or operation will void the warranty.

⚠ WARNING

If the information in this manual is not followed exactly, a fire or explosion may result causing property damage, personal injury or loss of life.

Do not store or use gasoline or other flammable vapors and liquids in the vicinity of this or any other appliance.

WHAT TO DO IF YOU SMELL GAS

- Do not try to light any appliance.
- Do not touch any electrical switch; do not use any phone in your building.
- Immediately call your gas supplier from a nearby phone. Follow the gas supplier's instructions.
- If you cannot reach your gas supplier, call the fire department.

Installation and service must be performed by a qualified installer, service agency, or gas supplier.

⚠ AVERTISSEMENT

Assurez-vous de bien suivre les instructions données dans cette notice pour réduire au minimum le risque d'incendie ou d'explosion ou pour éviter tout dommage matériel, toute blessure ou la mort.

Ne pas entreposer ni utiliser d'essence ou ni d'autres vapeurs ou liquides inflammables dans le à proximité de cet appareil ou de tout autre appareil.

QUE FAIRE SI VOUS SENTEZ UNE ODEUR DE GAZ:

- Ne pas tenter d'allumer d'appareils.
- Ne touchez à aucun interrupteur. Ne pas vous servir des téléphones dans le bâtiment où vous vous trouvez.
- Appelez immédiatement votre fournisseur de gaz depuis un voisin. Suivez les instructions du fournisseur.
- Si vous ne pouvez rejoindre le fournisseur de gaz, appelez le service des incendies.

L'installation et l'entretien doivent être assurés par un installateur ou un service d'entretien qualifié ou par le fournisseur de gaz.

TABLE OF CONTENTS

SECTION 1

Product Accessories

1.1 Introduction	1
1.2 Included with the Appliance.....	1

SECTION 2

Product Characteristics

2.1 Model Nomenclature (model number).....	2
2.2 Specifications	3
2.3 Dimensions	6
2.4 Names of Components	8
2.5 Product Flow and Characteristics	11

SECTION 3

Safety Regulations

3.1 Safety Symbols	12
3.2 Safety Precautions and Proper Use.....	14

SECTION 4

Installation

4.1 Location and Clearances	15
4.2 Wall Mount Bracket	16
4.2.1 Installation Height and Location	16
4.2.2 Hang the Boiler	16
4.3 Combustion Air.....	17
4.3.1 Combustion Air from Room.....	17
4.3.2 Ducted Combustion Air	17
4.4 Venting (exhaust)	19
4.5 General Location Guidelines.....	20
4.6 Locations for Vent Pipe Terminator	21
4.6.1 Direct Venting Clearances.....	21
4.6.2 Non-Direct Venting Clearances.....	22
4.6.3 Venting Requirements in Massachusetts	23
4.7 Air Supply and Vent Connections at the Appliance	25
4.7.1 Vent / Air Pipe Lengths.....	25
4.7.2 Direct Venting.....	25
4.7.3 Indoor Combustion Air.....	26
4.8 Vent / Air Pipe Termination	27
4.9 Gas Supply and Piping.....	29
4.10 Gas Supply Pressure	34
4.11 Gas Set Up and Adjustment.....	35
4.12 High Altitude Installations. 2,000' to 10,000'.....	36
4.13 Natural Gas to Propane Conversion	37
4.14 Plumbing Guidelines	39
4.15 Pressure Relief Valve.....	46
4.16 Disposal of Condensate	47
4.17 Electrical Wiring Connections	48

4.18 DIP Switches.....	49
4.19 Control Board, Electrical Diagram	50
4.20 Ladder Diagram	51
4.21 Electrical Connections.....	52

SECTION 5

Control Display and Operation

5.1 Control Dial and Buttons	54
5.2 LCD Overview	55
5.3 Operating Mode	56
5.4 Setting the Clock.....	57
5.5 CH Set Point Change Mode.....	58
5.6 Status Display Mode	59
5.7 Installer Mode.....	60
5.8 Storage (Indirect Water Heater)	63
5.9 Outdoor Reset Adjustment	64
5.10 External Set Point Temperature Control.....	64
5.11 Error Mode	65

SECTION 6

Error Codes

6.1 Error Codes.....	66
6.2 Fault Tree Analysis.....	70

SECTION 7

Trouble Shooting

7.1 Diagnostics.....	71
7.2 Suggested Corrective Actions	72

SECTION 8

Maintenance

8.1 Annual Startup and General Maintenance	74
8.2 Flushing the Boiler	76

SECTION 9

Installation Check

9.1 Quick View	77
9.2 Final Check Lists.....	78

SECTION 10

Parts

10.1 Parts List and Illustrations	80-91
---	-------

**SECTION 1
Product Accessories**


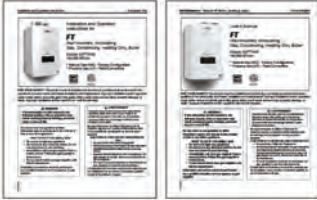





1.1 Introduction

This manual provides information necessary for the installation, operation, and maintenance of the **FT Series Heating Only, Boiler**. All application and installation procedures must be read and reviewed completely before proceeding with the installation. Consult the manufacturer (see the back cover), or your local manufacturer's representative, with any problems or questions regarding this equipment. Experience has shown that most operating problems are caused by improper installation.





All installations must be made in accordance with
 1) American National Standard Z223.1/NFPA54-Latest Edition "National Fuel Gas Code" or
 2) CSA B149.1 "Natural Gas and Propane Installation Code" and with the requirement of the local utility or other authorities having jurisdiction. Such applicable requirements take precedence over the general instructions contained herein.

All electrical wiring is to be done in accordance with the local codes, or in the absence of local codes, with: 1) The National Electrical Code ANSI/NFPA No. 70-latest Edition, or 2) CSA STD. C22.1 "Canadian Electrical Code - Part 1". This appliance must be electrically grounded in accordance with these codes.

1.2 Included with the Appliance

Item	Description	Qty
Wall Mounted Boiler FTHW (all sizes)		1
Installation Instructions and User's Manual		1
Condensate Hose		1
Wall Mount Bracket	 FT1894	1
2 types of Wall Anchors		
Pressure Relief Valve (CH LINE 3/4" 30psi) Model: CASH ACME F-82		1
Mesh Screens 3"		2

1.2 Included with the Appliance (continued)

Items	Descriptions	Qty
Propane Conversion Orifice	 199 MBH 80 / 100 / 120 / 140 MBH 	1
O-Ring and Gasket Kit		1
Outdoor Temperature Sensor with anchors and screws		

SECTION 2.

Product Characteristics

2.1 Model Nomenclature (model number)

The Model Nomenclature is shown on your Rating Plate and consists of a series of letters and numbers (**Nomenclature**) that further identifies the characteristics of your FT.

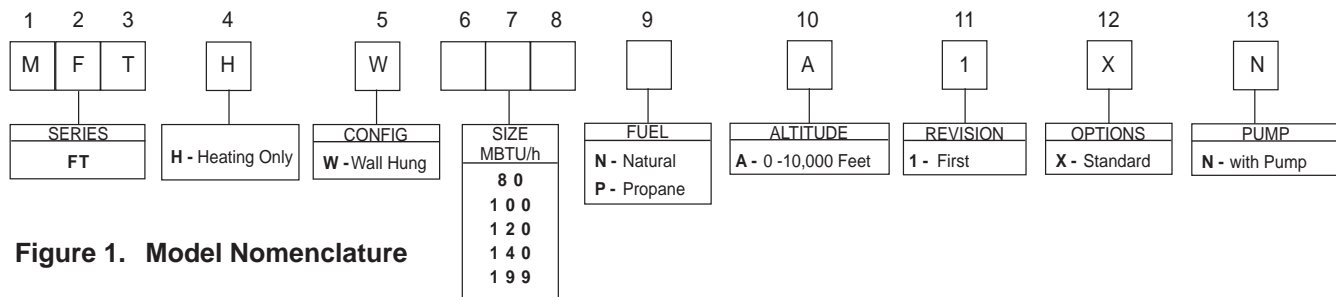


Figure 1. Model Nomenclature

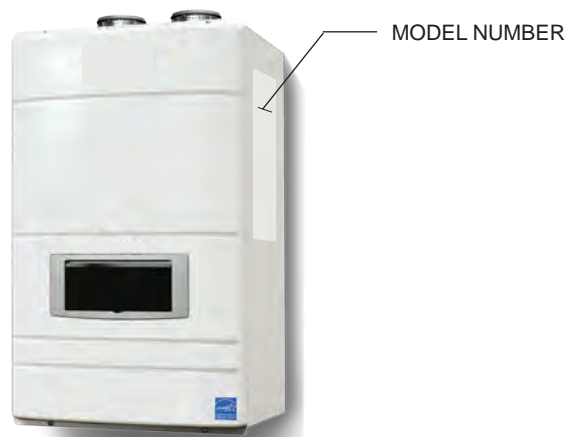


Figure 2. Locating the model number

2.2 Specifications, 80 MBH and 100 MBH

Model Name		FTHW80	FTHW100
Gas Input Rate	MAX	80,000 Btu/h	100,000 Btu/h
	MIN	16,000 Btu/h	20,000 Btu/h
Installation		Indoor / Wall hung type	
Flue System		Sealed Combustion Direct / Single Vent /Sidewall Vent	
Vent Run		2"(50ft) , 3"(100ft) Schedule 40 CPVC, PP	
Orifice Size	NG	0.2"(5.05mm)	0.215" (5.45mm)
	LP	0.157"(4.0mm)	0.169" (4.3mm)
Gas Supply Pressure	NG	3.5" WC to 14.0" WC	
	LP	3.5" WC to 14.0" WC	
Manifold Pressure	Gas type	LP	NG
	Max fire	-0.102" WC	-0.102" WC
	Min fire	0.00" WC	0.00" WC
Power Supply	Main Supply	120V 60Hz / 4A	
	Maximum Power Consumption	160W	
Ignition System		Direct Electronic Ignition / Automatic Flame Sensing	
Burner System		Single Orifice Premixed Fuel Modulation Metal Ceramic Infrared	
Gas Valve System		Combination modulating (Current proportional)	
Dimensions		W17.3" - H29.0" – D14.9"	
Shipping Weight		98 lbs (44 kg)	
Main Controller / Control Display		NGTB-900CP / P-950EH	
Water Pressure		CH Min 15 ~ Max 30 PSI	
Connection Sizes	CH Supply/Return	1 ¼" NPT	
	Gas Inlet	¾" NPT	
Materials	Casing	Cold Rolled Carbon Steel	
	Heat Exchanger	Primary Heat Exchanger : Stainless Steel Sub Heat Exchanger : Stainless Steel	
Safety Devices		Flame Rod, Overheat Cut Off Device, Gas Valve Operation Detector, Water Temperature Sensor, Over-heat Limit Switch,	

2.2 Specifications, 125 MBH and 140 MBH

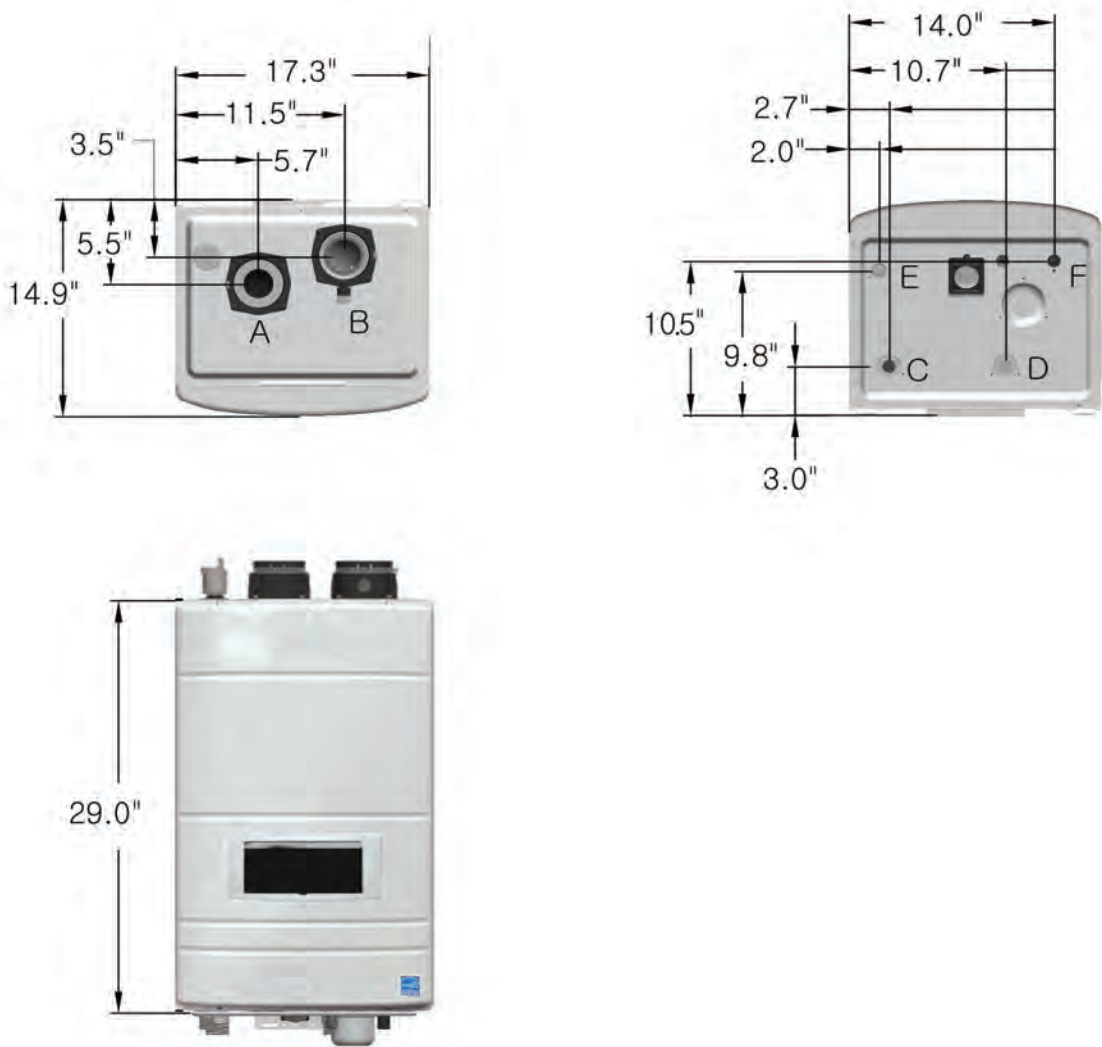
Model Name		FTHW120	FTHW140
Gas Input Rate	MAX	120,000 Btu/h	140,000 Btu/h
	MIN	24,000 Btu/h	28,000 Btu/h
Installation		Indoor / Wall hung type	
Flue System		Sealed Combustion Direct / Single Vent / Sidewall Vent	
Vent Run		2"(50ft) , 3"(100ft) Schedule 40 CPVC, PP	
Orifice Size	NG	0.213" (5.4mm)	0.255" (6.5mm)
	LP	0.173" (4.4mm)	0.191" (4.85mm)
Gas Supply Pressure	NG	3.5" WC to 14.0" WC	
	LP	3.5" WC to 14.0" WC	
Manifold Pressure	Gas type	LP	NG
	Max fire	-0.216" WC	-0.216" WC
	Min fire	0.00" WC	0.00" WC
Power Supply	Main Supply	120V 60Hz / 4A	
	Maximum Power Consumption	160W	
Ignition System		Direct Electronic Ignition / Automatic Flame Sensing	
Burner System		Single Orifice Premixed Fuel Modulation Metal Ceramic Infrared	
Gas Valve System		Combination modulating (Current proportional)	
Dimensions		W17.3" - H29.0" – D14.9"	
Shipping Weight		102 lbs (46 kg)	
Main Controller / Control Display		NGTB-900CP / P-950EH	
Water Pressure		CH Min 15 ~ Max 30 PSI	
Connection Sizes	CH Supply/Return	1 1/4" NPT	
	Gas Inlet	3/4" NPT	
Materials	Casing	Cold Rolled Carbon Steel	
	Heat Exchanger	Primary Heat Exchanger : Stainless Steel Sub Heat Exchanger : Stainless Steel	
Safety Devices		Flame Rod, Overheat Cut Off Device, Gas Valve Operation Detector, Water Temperature Sensor, Over-heat Limit Switch,	

2.2 Specifications, 199 MBH

Model Name		FTHW199			
Gas Input Rate	MAX	199,000 Btu/h			
	MIN	19,900 Btu/h			
Installation		Indoor / Wall hung type			
Flue System		Sealed Combustion Direct / Single Vent / Concentric Vent			
Vent Run		2"(50ft) , 3"(100ft) Schedule 40 CPVC, PP			
Orifice Size	NG	0.326" (8.3mm)			
	LP	0.244" (6.2mm)			
Gas Supply Pressure	NG	3.5" WC to 14.0" WC			
	LP	3.5" WC to 14.0" WC			
Manifold Pressure	Gas type	LP	NG	LP	NG
	Max fire	-0.169" WC	-0.129"W.C	-0.173" WC	-0.134" WC
	Min fire	-0.015"W.C	-0.015"W.C	-0.015" WC	-0.015" WC
Power Supply	Main Supply	120V 60Hz / 4A			
	Maximum Power Consumption	160W			
Ignition System		Direct Electronic Ignition / Automatic Flame Sensing			
Burner System		Single Orifice Premixed Fuel Modulation Metal Ceramic Infrared			
Gas Valve System		Combination modulating (Current proportional)			
Dimensions		W19.6" - H32.0" – D16.2"			
Shipping Weight		118 lbs (54 kg)			
Main Controller / Control Display		NGTB-900CP / P-950EH			
Water Pressure		Min 15 ~ Max 30 PSI			
Connection Sizes	CH Supply/Return	1 ¼" NPT			
	Gas Inlet	¾" NPT			
Materials	Casing	Cold Rolled Carbon Steel			
	Heat Exchanger	Primary Heat Exchanger : Stainless Steel Sub Heat Exchanger : Stainless Steel			
Safety Devices		Flame Rod, Overheat Cut Off Device, Gas Valve Operation Detector, Water Temperature Sensor, Over-heat Limit Switch,			

2.3 Dimensions

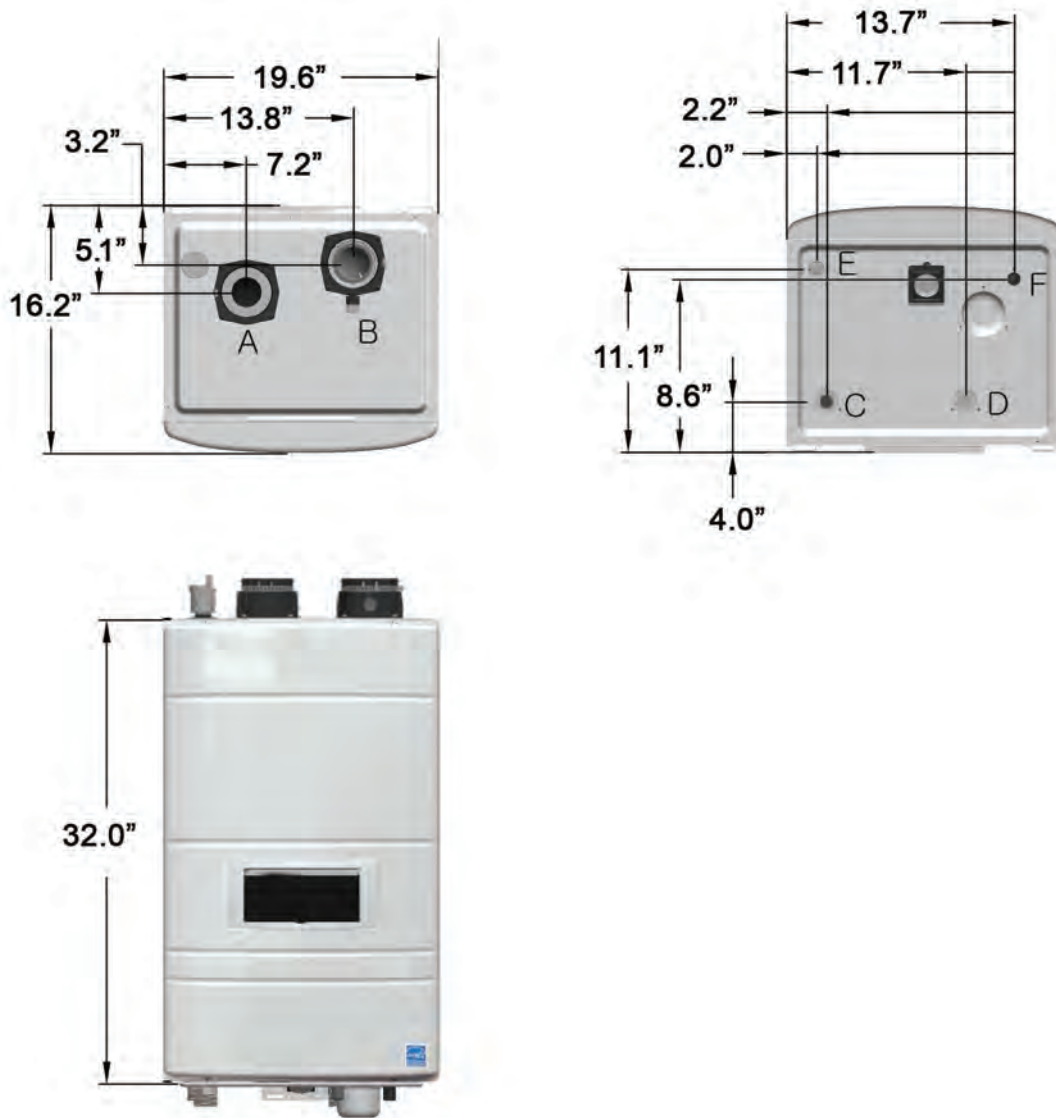
FTHW 80/100/120/140 Heating only boiler



	Description	Diameter
A	Air Intake Collar	3"
B	Vent Pipe Collar	3"
C	'CH' Supply	1 1/4"
D	'CH' Return	1 1/4"
E	Gas Inlet	3/4"
F	Condensate Line	1/2"

2.3 Dimensions

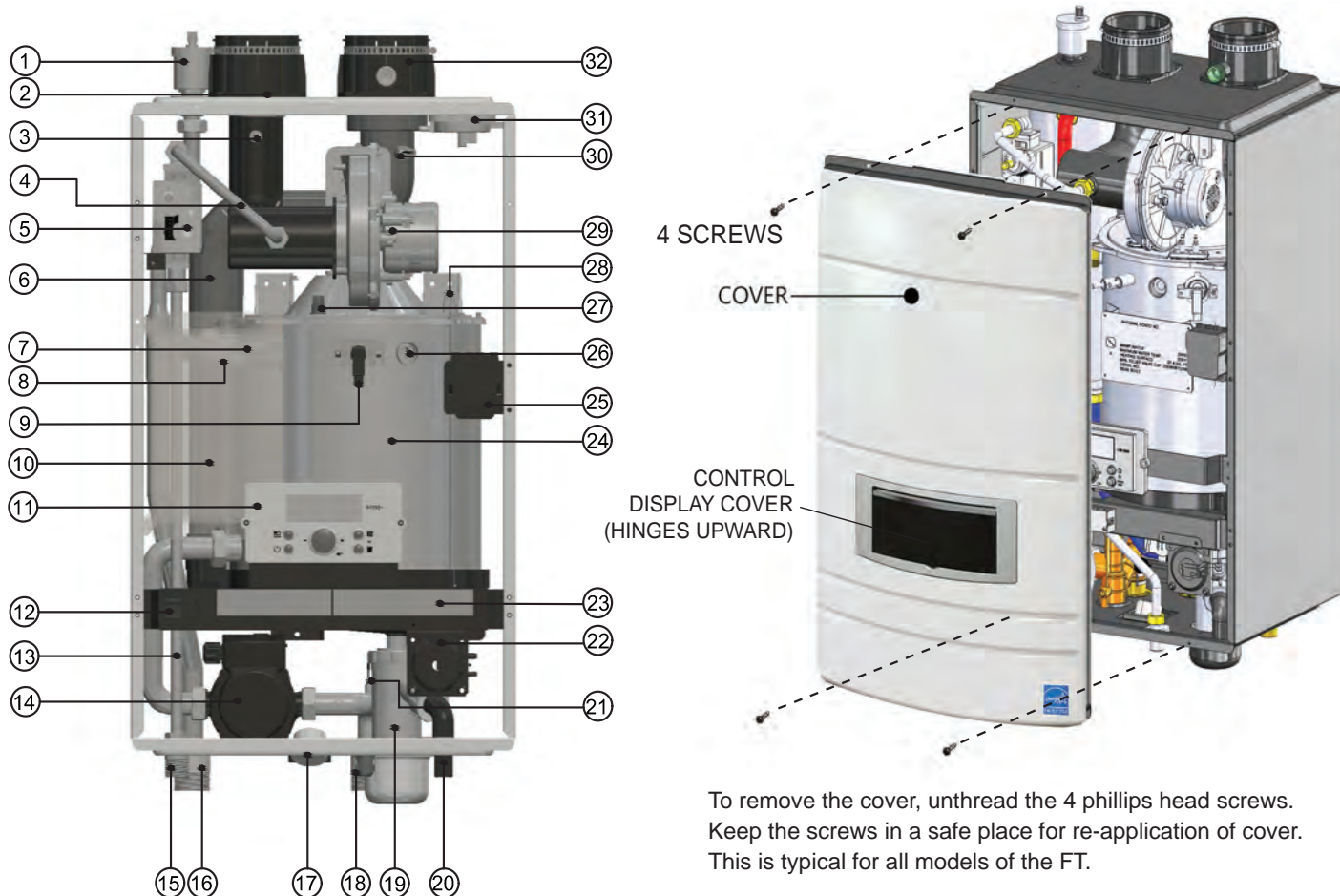
FTHW 199 Heating only boiler



	Description	Diameter
A	Air Intake Collar	3"
B	Vent Pipe Collar	3"
C	'CH' Supply	1 1/4"
D	'CH' Return	1 1/4"
E	Gas Inlet	3/4"
F	Condensate Line	1/2"

2.4 Names of Components

FTHW 80/100 Heating only boiler



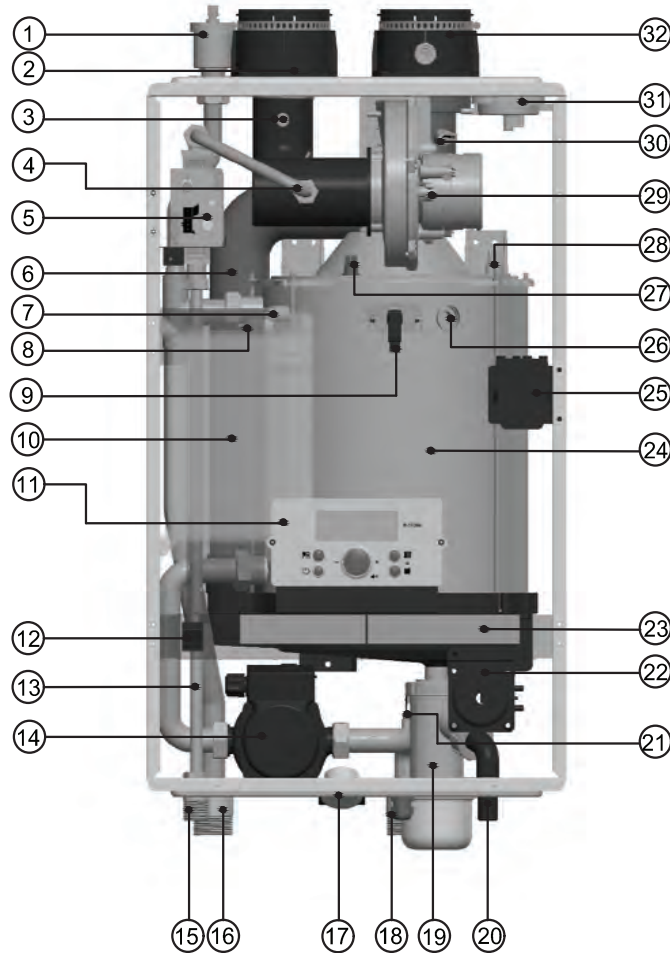
To remove the cover, unthread the 4 phillips head screws. Keep the screws in a safe place for re-application of cover. This is typical for all models of the FT.

NO	Name of Component
1	Air Vent (air eliminator)
2	Air Intake Collar
3	Air / Gas Mixing Pipe
4	Gas Inlet Pipe 2
5	Gas Valve
6	Exhaust Duct
7	Low Water Temperature Sensor
8	OP Sensor
9	Flame Detecting Sensor
10	Main PCB
11	Control Display
12	Manual ON/OFF Power Switch
13	Gas Inlet Pipe 1
14	'CH' Internal Pump
15	Gas Inlet Adapter
16	'CH' Supply Adapter

NO	Name of Component
17	CH Pressure Gauge
18	'CH' Return Adapter
19	Condensate Trap
20	Condensate Adapter
21	CH Return Temperature Sensor
22	Condensate Air Pressure Switch
23	Terminal Block
24	Heat Exchanger
25	Ignition Transformer
26	Sight Glass
27	Burner Overheat Switch
28	Igniter
29	BLDC Fan (blower)
30	Exhaust Temperature Sensor
31	Air Pressure Sensor
32	Vent Pipe Collar

2.4 Names of Components (continued)

FTHW 120/140 Heating only boiler

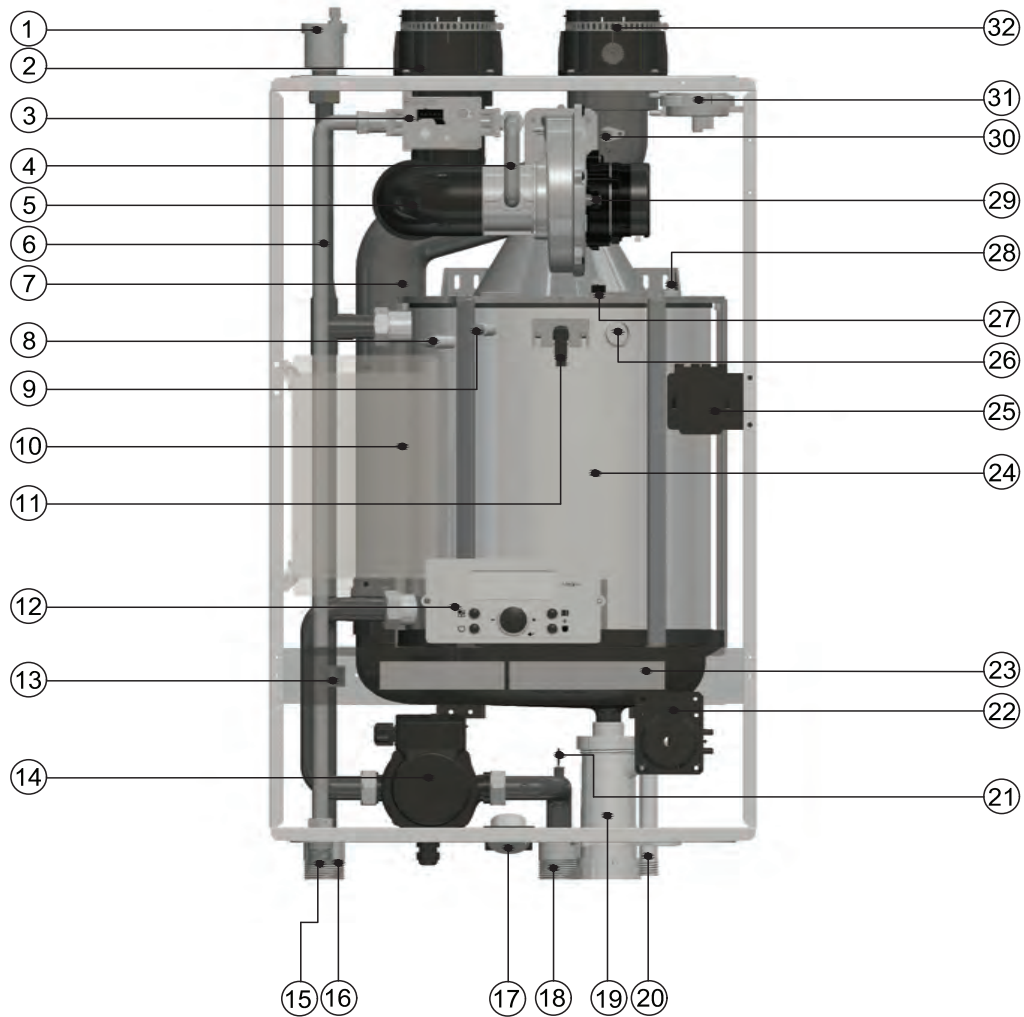


NO	Name of Component
1	Air Vent (air eliminator)
2	Air Intake Collar
3	Air / Gas Mixing Pipe
4	Gas Inlet Pipe 2
5	Gas Valve
6	Exhaust Duct
7	Low Water Temperature Sensor
8	OP Sensor
9	Flame Detecting Sensor
10	Main PCB
11	Control Display
12	Manual ON/OFF Power Switch
13	Gas Inlet Pipe 1
14	'CH' Internal Pump
15	Gas Inlet Adapter
16	'CH' Supply Adapter

NO	Name of Component
17	CH Pressure Gauge
18	'CH' Return Adapter
19	Condensate Trap
20	Condensate Adapter
21	CH Return Temperature Sensor
22	Condensate Air Pressure Switch
23	Terminal Block
24	Heat Exchanger
25	Ignition Transformer
26	Sight Glass
27	Burner Overheat Switch
28	Igniter
29	BLDC Fan (blower)
30	Exhaust Temperature Sensor
31	Air Pressure Sensor
32	Vent Pipe Collar

2.4 Names of Components (continued)

FTHW 199 Heating only boiler

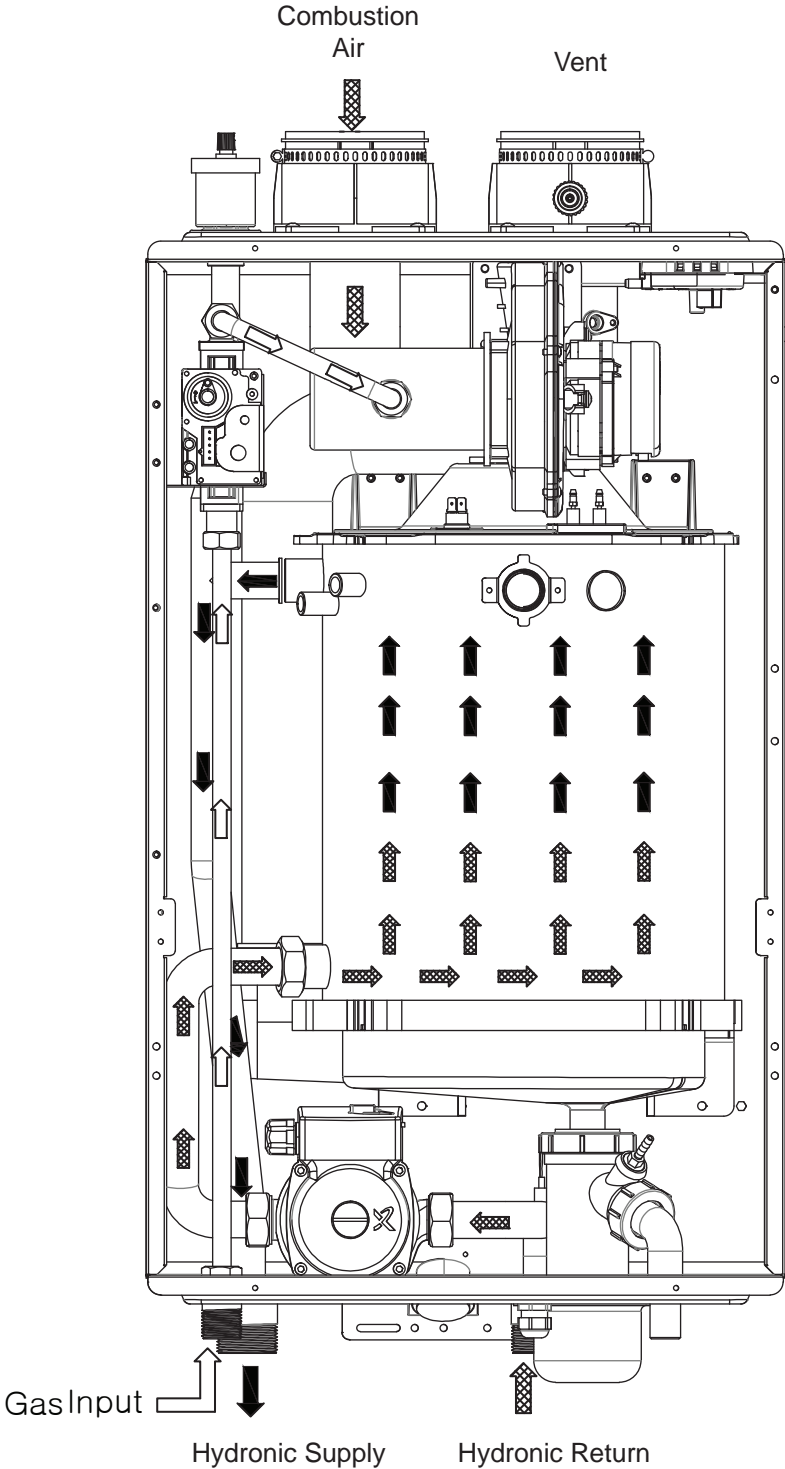


NO	Name of Component
1	Air Vent (air eliminator)
2	Air Intake Collar
3	Gas Valve
4	Gas Inlet Pipe 2
5	Air / Gas Mixing Pipe
6	Gas Inlet Pipe 1
7	Exhaust Duct
8	OP Sensor
9	Low Water Level Sensor
10	Main PCB
11	Flame Detecting Sensor
12	Control Display
13	Manual ON/OFF Power Switch
14	'CH' Internal Pump
15	Gas Inlet Adapter
16	'CH' Supply Adapter

NO	Name of Component
17	CH Pressure Gauge
18	'CH' Return Adapter
19	Condensate Trap
20	Condensate Adapter
21	CH Return Temperature Sensor
22	Condensate Air Pressure Switch
23	Terminal Block
24	Heat Exchanger
25	Ignition Transformer
26	Sight Glass
27	Burner Overheat Switch
28	Igniter
29	BLDC Fan (blower)
30	Exhaust Temperature Sensor
31	Air Pressure Sensor
32	Vent Pipe Collar

2.5 Product Flow Paths and Characteristics

Water in the heating pipe is used for space heating.



SECTION 3. Safety Regulations

3.1 Safety Symbols

WARNING

To avoid product damage, personal injury, or even possible death, carefully read, understand, and follow all the instructions in the Installation and Operation manual before installation, operation and service the Boiler.

Manufacturer cannot anticipate every circumstance that might involve a potential hazard. Therefore, all possible incidents are not included in our warnings. Proper installation, operation, and service are your responsibility. You must make sure that the operation and settings of the Boiler are safe for you and for others.

This manual provides Safety Symbols. When the user fails to adhere to the following requirement, it may cause death, serious injury, and substantial property damage.

For safety symbols, 'DANGER', 'WARNING', 'CAUTION' are indicated and the definitions for these terms are as follow:

DANGER

Indicates an imminently hazardous situation which, if not avoided, will result in death or serious injury. This signal word is limited to the most extreme situations.

WARNING

Indicates a potentially hazardous situation which, if not avoided, could result in death or serious injury.

CAUTION

Indicates a potentially hazardous situation which, if not avoided, may result in minor or moderate injury. It is also used to alert against unsafe practices and hazards involving only property damage.

WARNING

FOR YOUR SAFETY READ BEFORE OPERATING

If you do not follow these instructions exactly, a fire or explosion could result causing property damage, personal injury or loss of life.

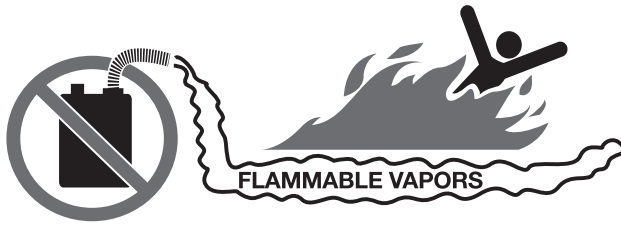
- A. This appliance does not have a pilot. It is equipped with an ignition device which automatically lights the burner. Do not try to light the burner by hand.
- B. BEFORE OPERATING smell all around the appliance area for gas. Be sure to smell next to the floor because some gas is heavier than air and will settle on the floor.

WHAT TO DO IF YOU SMELL GAS

 - Do not try to light any appliance.
 - Do not touch any electric switch; do not use any phone in your building.
 - Immediately call your gas supplier from a neighbor's phone. Follow the gas supplier's instructions.
 - If you cannot reach your gas supplier, call the fire department.
- C. Use only your hand to push in or turn the gas control knob. Never use tools. If the knob will not push in or turn by hand, don't try to repair it, call a qualified service technician. Force or attempted repair may result in a fire or explosion.
- D. Do not use this appliance if any part has been under water. Immediately call a qualified service technician to inspect the appliance and to replace any part of the control system and any gas control which has been under water.

This appliance must be installed in accordance with local codes if any; if not, follow ANSI Z224.1/NFPA 54 or CAN/CSA B149.1, Natural Gas and Propane Installation Code, as applicable.

- This appliance is certified for use at altitudes up to 4,500ft(1,370m) in accordance to the latest CSA/CGA 2.17-M91 Gas-Fired Appliances for Use at High Altitudes.



⚠ DANGER

- Vapors from flammable liquids will explode and catch on fire. These will cause death or severe burns.

Do not use or store flammable products such as gasoline, solvents or adhesives in the same room or area near the appliance.

Keep flammable products

- Far away from boiler
- In approved containers
- Tightly closed
- Out of children’s reach

Vapors

- Cannot be seen
- are heavier than air
- spread on the floor
- Can spread from other rooms to the main burner by air currents

Do not install the appliance where flammable products will be stored.

Read and follow boiler warnings and instructions thoroughly. If owner’s manual is missing, contact the retailer or manufacturer.

- This boiler must be installed by a qualified plumber, a licensed gas fitter, and/or a professional service technician.
Improper installation and/or operation will cause a potentially hazardous situation, such as serious injury or death. Also, it will void the warranty.
 - The National Fuel Gas Code NFPA 54 / ANSI Z224.1
 - National Electric Code ANSI/NEPA 70
 - All applicable local, state, national and provincial codes, regulations and laws.
- Proper care is your responsibility. Carefully read and understand the Operating Information in this manual before operating the Manufacturer Boiler.
- Be aware of the location of the gas shut-off valve and operation method. Close the gas shut-off valve immediately if the appliance is subjected to fire, overheating, flood, physical damage, or any other

damaging condition that might affect the operation of the unit. Boiler must be checked by a qualified technician before resuming operation.

- DO NOT use this Boiler if any part has been under water. Immediately call a qualified technician for inspecting the Boiler and replacing any part of the control system and gas control which have been under water.
- Do not power up the unit until the gas and water supply valves are fully opened. Make sure that the fresh air intake port and exhaust gas port are opened and functional.
- DO NOT attempt to install, repair, or service this Boiler by yourself.
Do not change any part of the Boiler.
Contact a qualified technician if the Boiler needs repair or maintenance.
Ask your gas supplier for a list of qualified service providers.
- DO NOT use spray paint, hair spray, or any other flammable spray near Boiler or near the exterior fresh air inlet port. DO NOT place any items in or around the exterior exhaust gas outlet port and/or fresh air inlet port. These could restrict or block the flow in or out of the vent system.
- “Caution: While repairing control, all wires are labeled. You must connect the wires in accordance with the instruction.
Wiring errors can cause improper and dangerous operation.
- “Verify proper operation after servicing operation”
- This consists of the gas ignition system components which are protected from water (dripping, spraying, rain, etc.) during operation and service (circulator replacement, condensate trap, control replacement, etc.).
- After installing the heater, safety devices must be tested.
- This boiler is equipped with a blocked vent shutoff system.
If the error code ‘41’ occurs, follow the instructions below.
 - First, turn off the manual gas valve.
 - Make sure that there is no foreign object in the vent passage or rodent screen.
 - If you do not find any problem, do the following.
 - Turn off the error state by pressing the power button of Control Display.
 - If the error occurs repeatedly, call your service technician or gas supplier.

3.2 Safety Precautions and Proper Use

Before Operation

1. Check the Gas Type (NG/LP)

When using or moving the unit for the first time, check if gas type matches with the gas type of the Boiler. Check whether the gas type which is supplied is NG (Natural Gas) or LP (Propane) and also check the Boiler gas type. The gas type is indicated on the rating plate on side of the Boiler.

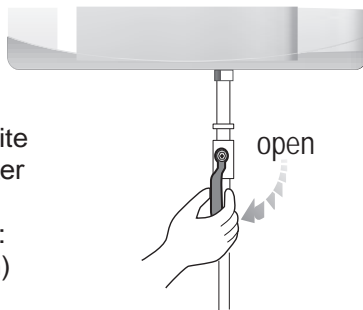
2. Check the Power (120V 60Hz)

Check that the appliance is connected properly.

3. Check the Cold Water

Inlet valve

Please keep the appliance water inlet valve open at all times. The appliance will not ignite when insufficient water or no water is in the heating pipes. (valve: always open position)



4. Check the Gas Valve

Check that the manual gas shut-off valve that supplies the FT is opened.

5. Check the area around the appliance and remove any combustible or flammable materials. Remove laundry or any other items that are on or near the boiler or vent pipe.

When in Operation CAUTION

1. Caution for Gas leak

Frequently check for a gas leak at the gas connection portion with soapy water.

Steps to take if you have a Gas leak.

1. Shut down the boiler as soon as gas fumes are detected.
2. Close the intermediate gas valve.
3. Open windows for ventilation.
4. Call a qualified service technician for immediate repair.

2. Caution for Ventilation

Make sure that there is sufficient inflow and outflow of air ventilation while using the unit.

If the ventilation is improper, combustion quality may deteriorate inside the appliance and cause shortened life of the appliance.

3. Burn Warning

Be careful not to burn yourself on the flue or pipes. They become extremely hot during operation.

WARNING

Do not use the appliance for any other purpose other than for residential hydronic heating.
Do not store combustibles or flammable material such as gasoline near the appliance.
Do not store other items on or near this boiler.
Do not store combustible (flammable) materials such as papers.
Do not hang clothes on the vent pipe. This may start a fire.

Carbon monoxide poisoning

If vent pipe fumes enter the room, it could cause poisoning by carbon monoxide gas. Check that the vent pipes are properly connected. Open windows for ventilation. Call a qualified service technician for immediate repair.

Gas leakage test.

Gas supply line must be inspected regularly.

Do not shut off the Boiler.

When you leave home for a long time, do not shut off Boiler. The Boiler has a freeze protection function. The ceramic heater is installed inside of the heater's internal pipe to protect the heater from freezing.

Do not wipe the appliance or Control Display with wet cloth. Electric shock may occur, or internal parts may fail due to the exposure to moisture.

Do not disassemble the Boiler.

If repair is required, call your local qualified technician.

SECTION 4. Installation

4.1 Location and Clearances

The FT must be mounted to a suitable wall by a qualified heating contractor under the guidelines of a boiler. The wall may be of concrete or wood. Suitable fasteners for concrete or wood must be used. Failure to wall mount this boiler using correct fasteners will affect the performance and life expectancy of the boiler and will void the warranty.

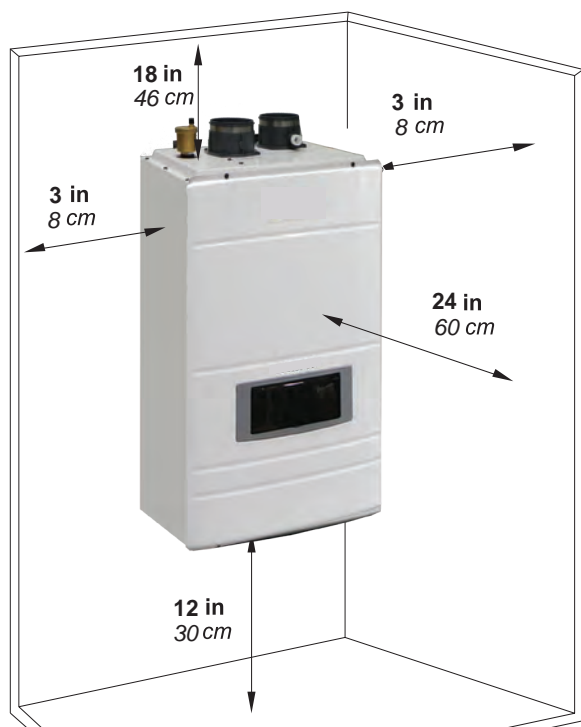


Figure 3. Locating the Appliance.
Minimum clearances to Combustibles.

For installation from Non-Combustibles and Combustibles		Suggested Service Clearance
TOP of appliance	18 in (23 cm)	18 in (46 cm)
BACK of appliance	0 in (0 cm)	0 in (0 cm)
FRONT of appliance	24 in (60 cm)	40 in (101 cm)
SIDE of appliance	3 in (7 cm)	8 in (20 cm)
BOTTOM of appliance	12 in (30 cm)	24 in (61 cm)

Table 1. Minimum Clearances to Combustibles and for Service.

⚠ WARNING

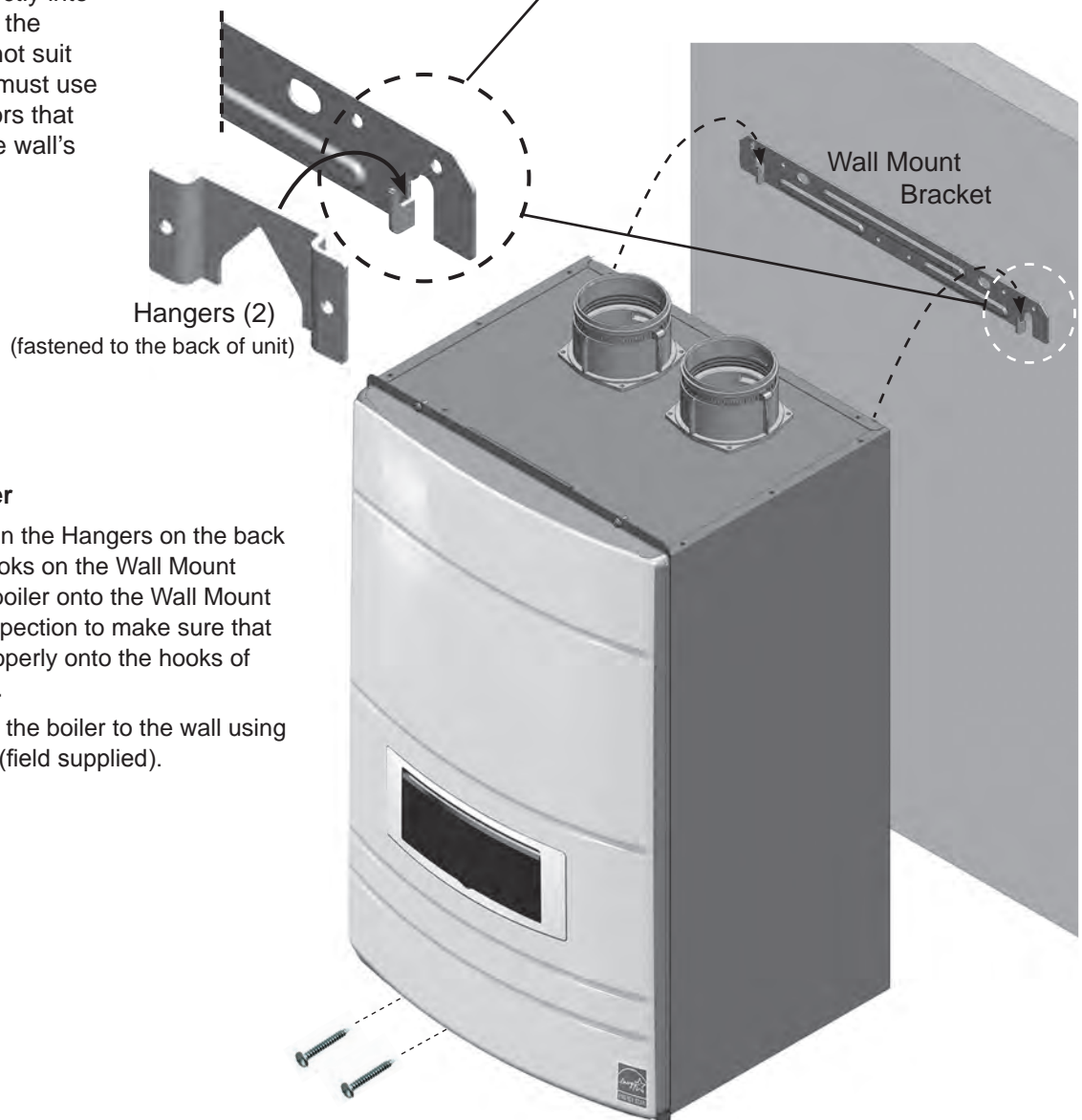
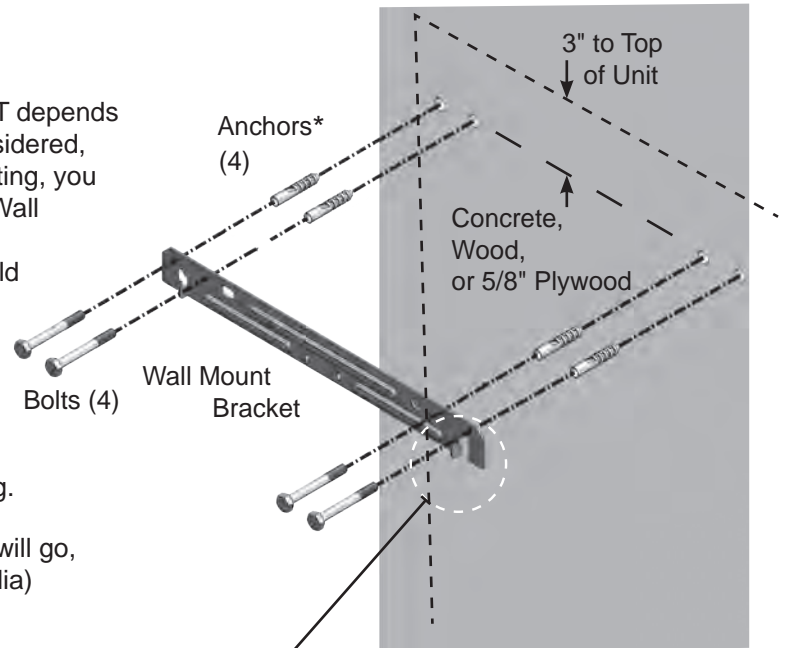
- Installations must comply with
 - All the local, state, provincial, and national codes, laws, regulations and ordinances.
 - National Fuel Gas Code, ANSI Z223.1 – The latest version.
 - National Electrical Code.
 - A National Standard of Canada CAN/CSA-B149.1
- Check before placing the Boiler
 - Always check the connected components which are near to the heater. The components are below.
- Water piping position / Venting adapter / Gas supply piping / Electrical power / Condensate drain hose.
 - Inspect area around Boiler. Remove any combustible materials, gasoline and other flammable liquids. Failure to keep Boiler area clear and free of combustible materials, gasoline and other flammable liquids and vapors can result in severe personal injury, death or substantial property damage.
 - The Boiler which has gas control system components must be protected from any possible danger during operation and service.
 - If new Boiler replaces an existing appliance, check and correct system problems, for example:
 - Do not install if: System leaks causing oxygen corrosion or heat exchanger cracks from hard water deposits.
- Provide clearances
 - If the heater was installed in a narrow space or corner, please ensure that there is sufficient space for service and maintenance access. For regular maintenance, gas and water lines must be accessible.
- The boiler must be installed on a wall that can bear its weight.

⚠ WARNING

- CLEARANCES FOR SERVICE ACCESS
 - If you do not provide the minimum clearances shown, it might not be possible to service the boiler without removing it from the space.
 - Space must be provided with combustion / ventilation air openings correctly sized for all other appliances located in the same space as the boiler. The boiler cover must be securely fastened to prevent it from drawing air from the boiler room. This is particularly important if the boiler is in a room with other appliances. Failure to comply with the above warnings could result in substantial property damage, severe personal injury, or death.

4.2 Wall Mount Bracket

- 4.2.1 The installation height and location** for your FT depends on your installation scenario. With all clearances considered, and given adequate positioning for air supply and venting, you will need to determine the best position to mount the Wall Mount Bracket. The wall must be concrete, wood, or plywood over studs, and must be strong enough to hold the boiler!
- Start by familiarizing yourself to how the included Wall Mount Bracket hooks underneath the two Hangers that are attached to the back of the boiler. The 'hooks' of the Wall Mount Bracket will be **3"** from the Top of the boiler once the boiler is hung.
- Position the Wall Mount Bracket at the location that it will go, being sure that it is level, and then drill 4 holes (0.47" dia) with a 1/2" drill bit, into the wall through the Bracket.
- If mounting to a concrete wall, then use the concrete anchors. If onto wood or 5/8" (16 mm) plywood, then use the wood screws. Do not hang the FT onto sheetrock unless it is possible to fasten directly into the structural studs. If the included anchors do not suit your installation, you must use 'Field Supplied' anchors that are appropriate for the wall's construction.



4.2.2 Hang the Boiler

- Lift the boiler up, align the Hangers on the back of the boiler with the hooks on the Wall Mount Bracket, and hang the boiler onto the Wall Mount Bracket. Do a visual inspection to make sure that the boiler is hanging properly onto the hooks of the Wall Mount Bracket.
- Fasten the bottom of the boiler to the wall using 2 suitable wall anchors (field supplied).

4.3 Combustion Air

FT boilers must have provisions for combustion and ventilation air in accordance with the applicable requirements for Combustion Air Supply and Ventilation in the National Fuel Gas Code, ANSI Z223.1; or in Canada, the Natural Gas and Propane Installation Code, CSA B149.1. All applicable provisions of local building codes must also be adhered to.

A FT unit can take combustion air from the space in which it is installed, or the combustion air can be ducted directly to the unit. Ventilation air must be provided in either case.

4.3.1 Combustion Air from Room

In the United States, the most common requirements specify that the space shall communicate with the outdoors in accordance with method 1 or 2, which follow. Where ducts are used, they shall be of the same cross-sectional area as the free area of the openings to which they connect.

Method 1: Two permanent openings, one commencing within 12" (300mm) of the top and one commencing within 12" (300mm) of the bottom, of the enclosure shall be provided. The openings shall communicate directly, or by ducts, with the outdoors or spaces that freely communicate with the outdoors. When directly communicating with the outdoors, or when communicating to the outdoors through vertical ducts, each opening shall have a minimum free area of 1 square inch per 4000 Btu/hr (550 square mm/kW) of total input rating of all equipment in the enclosure. When communicating to the outdoors through horizontal ducts, each opening shall have a minimum free area of not less than 1 square inch per 2000 Btu/hr (1100 square mm/kW) of total input rating of all equipment in the enclosure.

Method 2: One permanent opening, commencing within 12" (300mm) of the top of the enclosure, shall be permitted. The opening shall directly communicate with the outdoors or shall communicate through a vertical or horizontal duct to the outdoors or spaces that directly communicate with the outdoors and shall have a minimum free area of 1 square inch per 3000 Btu/hr (734 square mm/kW) of the total input rating of all equipment located in the enclosure. This opening must not be less than the sum of the areas of all vent connectors in the confined space.

Other methods of introducing combustion and ventilation air are acceptable, providing they conform to the requirements in the applicable codes listed above.

In Canada, consult local building and safety codes or, in absence of such requirements, follow CAN/CGA B149.1

4.3.2 Ducted Combustion Air

The combustion air can be taken through the wall, or through the roof. When taken from the wall, it must be taken from out-of-doors by means of the Manufacturer horizontal wall terminal. When taken from the roof, a field-supplied rain cap or an elbow arrangement must be used to prevent entry of rain water.

Use ABS, PVC, CPVC, polypropylene, or galvanized pipe for the combustion air intake. Route the intake to the boiler as directly as possible. Seal all joints. Provide adequate hangers. The unit must not support the weight of the combustion air intake pipe. Maximum linear pipe length allowed is shown in **Table 6**. Subtract 5 allowable linear ft. (1.5m) for every elbow used.

The connection for the intake air pipe is at the top of the unit.

In addition to air needed for combustion, air shall also be supplied for ventilation, including air required for comfort and proper working conditions for personnel.

COMBUSTION AIR INSTALLATION STANDARDS

MATERIAL	UNITED STATES	CANADA
ABS	ANSI/ASTM D1527	Air pipe material must be chosen CPVC, sch 40, ANSI/ASTM, Polypropylene based upon the intended application of the boiler.
PVC, sch 40	ANSI/ASTM D1785 or D2665	
CPVC, sch 40	ANSI/ASTM F441	
Polypropylene	UL1738, ULC S636.	
Single wall galv. steel	26 gauge	

Table 2. Required Combustion Air Pipe Material.

NOTICE

The instructions for the installation of the venting system shall specify that the horizontal portions of the venting system shall be supported to prevent sagging; the methods of and intervals for support shall be specified. These instructions shall also specify that the venting system:

Category I, II and IV boilers must be installed so that horizontal sections have a slope of at least ¼ inch per foot (21 mm/m) to prevent accumulation of condensate; and

For Category II and IV boilers, where necessary, have means provided for drainage of condensate.

AVIS

Les instructions d'installation du système d'évacuation doivent préciser que les sections horizontales doivent être supportées pour prévenir le fléchissement. Les méthodes et les intervalles de support doivent être spécifiés. Les instructions doivent aussi indiquer les renseignements suivants:

les chaudières de catégories I, II et IV doivent présenter des tronçons horizontaux dont la pente montante est d'au moins ¼ po par pied (21 mm/m) entre la chaudière et l'évent; les chaudières de catégories II et IV doivent être installées de façon à empêcher l'accumulation de condensat;

et si nécessaire, les chaudières de catégories II et IV doivent être pourvues de dispositifs d'évacuation du condensat.

CAUTION

- The FT is standard as a Natural Gas Boiler and must be converted if propane is the desired gas, unless specifically manufactured for propane.
- Adequate drainage
 - The appliance should be installed not to damage the adjacent area. If such locations cannot be avoided, it is recommended that a suitable drain pan, adequately drained, be installed under the appliance. The pan must not block combustion air flow.
- Connecting the Water Supply
 - To conserve water and energy, insulate all water piping—especially the hot and recirculation water lines. Never cover the drain or pressure relief valve. Having a backflow preventer in the cold water supply line will prevent thermal expansion backflow. Contact the water supplier or local plumbing inspector for information about how to control this situation.
- If overheating occurs or the gas supply fails to shut off, turn off the manual gas valve.
- This installation must conform with below section
 - “Air for Combustion and Ventilation” of the National Fuel Gas Code, ANSI Z224.1/NFPA 54, or Sections 8.2, 8.3 or 8.4 of Natural Gas and Propane Installation Code, CAN/CSA B149.1, or applicable provisions of the local building codes.

4.4 Venting (Exhaust)

NOTICE

DO NOT COMMON VENT FT UNITS. FT units are never permitted to share a vent with Category I appliances.

AVIS

NE PAS ÉVENT COMMUNE FT UNITÉS. FT unités ne sont jamais autorisés à partager un évent Catégorie I avec les appareils.

The flue temperature of the FT changes dramatically with changes in operating water temperature. Therefore, it is necessary to assess the application of the boiler to determine the required certified vent class. If the FT is installed in an application where the ambient temperature is elevated, and/or installed in a closet/alcove, CPVC, polypropylene, or stainless steel material is required. If the system temperatures are unknown at the time of installation, stainless, polypropylene or CPVC material is recommended.

The FT is a Category IV appliance and may be installed with PVC, CPVC or polypropylene that complies with ULC-S636, ANSI/ASTM D1785 F441 (see Table 3) or a stainless steel venting system that complies with UL 1738 Standard and ULC S636.

WARNING

Use of cellular core PVC (ASTM F891), cellular core CPVC, or Radel® (polyphenolsulfone) in venting systems shall be prohibited.

WARNING

Failure to use the appropriate vent material, installation techniques, glues/sealants could lead to vent failure causing property damage, personal injury or death.

WARNING

All venting must be installed according to this manual and any other applicable local codes, including but not limited to, ANSI Z224.1/NFPA 54, CAN/CSA B149.1 and ULC-S636. Failure to follow this manual and applicable codes may lead to property damage, severe injury, or death.

WARNING

Use of cellular core PVC (ASTM F891), cellular core CPVC, or Radel® (polyphenolsulfone) in non-metallic venting systems is prohibited and that covering non-metallic vent pipe and fittings with thermal insulation is prohibited.

INSTALLATIONS IN CANADA require the use of venting material certified to ULCS636. All Gas vents connected to the FT, plastic, stainless steel or otherwise must be certified to this ULC standard. Appropriate selection of vent material is very important for proper performance and safe operation of the FT.

The flue temperature of the FT changes dramatically with changes in operating water temperature. Therefore, it is necessary to assess the application of the boiler to determine the required certified vent class. If the FT is installed in an application where the outlet water temperature exceeds 145°F, and/or installed in a closet, class IIB or higher vent material is required. If the system temperatures are unknown at the time of installation, class IIB or higher venting material is recommended.

IN CANADA all venting used must meet the following requirements:

1. **ULC-S636 certified and marked**
2. **The first 3 feet of venting must be accessible for visual inspection.**
3. **All components used in the vent system must be from a certified manufacturer.**
4. **Vent system components must not be mixed with alternate manufacturers certified**

VENTING INSTALLATION STANDARDS

MATERIAL	UNITED STATES	CANADA
Stainless Steel	UL 1738	Venting must be ULC-S636 certified for use as venting material. The venting material must be chosen based upon the intended application of the boiler.
PVC, sch 40	ANSI/ASTM D1785	
CPVC, sch 40	ANSI/ASTM F441	
Polypropylene	UL1738 or ULC-S636	

Table 3. Required Exhaust Vent Material.

components and/or unlisted components.

5. The venting must be installed according to the vent manufacturers installation instructions.

The unit's vent can terminate through the roof, or through an outside wall.

Vent pipe must pitch upward, toward the vent terminal, not less than 1/4" per foot, so that condensate will run back to the FT to drain. Route vent pipe to the heater as directly as possible. Seal all joints and provide adequate hangers as required in the venting system manufacturer's Installation Instructions. Horizontal portions of the venting system must be supported to prevent sagging and may not have any low sections that could trap condensate. The unit must not support the weight of the vent pipe.

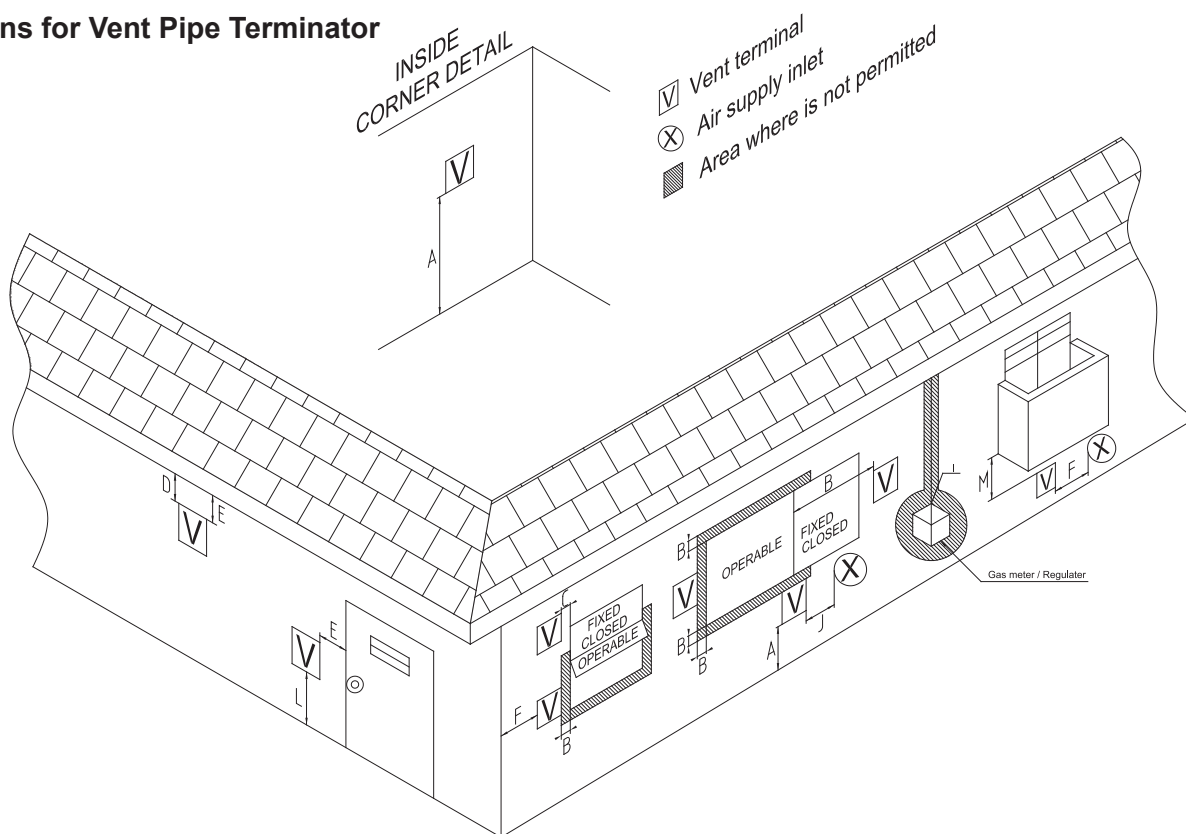
WARNING

- Failure to vent this Boiler in accordance with these instructions could cause a fire, resulting in severe property damage, personal injury or death.
- Do not interchange vent systems or materials unless it is specified.
- The use of thermal insulation covering pipe and fittings is prohibited.
- Do not apply an electric damper, draft hood or vent damper with this Boiler.
- Do not locate vent termination where exposed to prevailing winds. Moisture and ice may fall on surface around vent termination. To prevent deterioration, surface must be in good repair (sealed, painted, etc.).

4.5 General Location Guideline

1. Vent system installation must be in accordance with Local codes or, in the absence of local codes, the National Fuel Gas Code, ANSI Z224.1 /NFPA 54 and/or CSA B149.1, Natural Gas and Propane Installation Code.
2. The Boiler is designed to be installed as a Direct Vent (sealed combustion) type. The air for combustion must be supplied directly from the outside to the burner. Also, the flue gases must be vented directly to the outdoors (through wall or roof).
3. Do not install venting system components on the exterior of building except as specifically required by these instructions
 - Vent terminals must be at least 1 foot from any door, window, or gravity inlet into the building.
 - Maintain the correct clearance and orientation between the vent and air intake terminals. The vent and air intake terminals must be at the same height and their center lines must be spaced apart 12" minimum.
 - The bottom of the vent and air intake terminal must be at least 12" above the normal snow line. In no case should they be less than 12" above grade level.
 - Do not install the vent terminal directly over windows or doors.
 - Air intake terminal must not terminate in areas that might contain combustion air contaminants, such as near swimming pools.
 - For sidewall venting, the minimum horizontal distance between any adjacent individual Module (Boiler) vent terminations is twelve (12) inches. It is better to be far more than 12 inches for avoiding frost damage to building surfaces where vent terminations are placed.
 - The minimum horizontal distance between any adjacent individual module (boiler) roof vent endpiece is one (1) foot.

4.6 Locations for Vent Pipe Terminator



* For clearances not specified in ANSI Z224.1 / NFPA 54 or CAN/CSA-B 149.1, please use clearances in accordance with local installation codes and the requirement of the gas supplier.

4.6.1 Direct Venting Clearances

	Description	US Direct Vent Installations	Canadian Direct Vent Installations
A	Clearance above grade, veranda, porch, deck, or balcony	12 in (30 cm)	12 in (30 cm)
B	Clearance to window or door that may be opening	12 in (30 cm)	36 in (91 cm)
C	Clearance to permanently closed window	*	*
D	Vertical clearance to ventilated soffit located above the terminal within a horizontal distance of 2 feet from the center line of the terminal	*	*
E	Clearance to unventilated soffit	*	*
F	Clearance to outside corner	*	*
G	Clearance to inside corner	*	*
H	Clearance to each side of center line extended above meter/ regulator assembly	*	3 ft (91 cm) within a height 15 ft (457 cm) above the meter/ regulator assembly
I	Clearance to service regulator vent outlet	*	3 ft (91 cm)
J	Clearance to non-mechanical air supply inlet to building or the combustion air inlet to any other appliance	12 in (30 cm)	36 in (91 cm)
K	Clearance to a mechanical air supply inlet	3 ft (91 cm) above if within 10 ft (3 m) horizontally	6 ft (1.83 m)
L	Clearance above paved sidewalk or paved driveway located on public property	*	7 ft (2.13 m)
M	Clearance under veranda, porch, deck, or balcony	*	12 in (30 cm)

Table 4. Direct Vent Clearances

4.6.2 Non-Direct Venting (Single Pipe) Clearances

	Description	US Non-Direct	Canadian Non-Direct
A	Clearance above grade, veranda, porch, deck, or balcony	12 in (30 cm)	12 in (30 cm)
B	Clearance to window or door that may be opening	48 in (120 cm) below or to side of opening; 12 in (30 cm) above opening	36 in (91 cm)
C	Clearance to permanently closed window	*	*
D	Vertical clearance to ventilated soffit located above the terminal within a horizontal distance of 2 feet from the center line of the terminal	*	*
E	Clearance to unventilated soffit	*	*
F	Clearance to outside corner	*	*
G	Clearance to inside corner	*	*
H	Clearance to each side of center line extended above meter/regulator assembly	*	36 in (91 cm) within a height 15 ft (4.57 m) above the meter/regulator assembly
I	Clearance to service regulator vent outlet	*	36 in (91 cm)
J	Clearance to non-mechanical air supply inlet to building or the combustion air inlet to any other appliance	48 in (120 cm) below or to side of opening; 12 in (30 cm) above opening	36 in (91 cm)
K	Clearance to a mechanical air supply inlet	36 in (91 cm) above if within 10 ft (3 m) horizontally	6 ft (1.83 m)
L	Clearance above paved sidewalk or paved driveway located on public property	*	7 ft (2.13 m)
M	Clearance under veranda, porch, deck, or balcony	*	12 in (30 cm)

Table 5. Non-Direct Vent Clearances

4.6.3 Venting Requirements in the Commonwealth of Massachusetts

In Massachusetts the following items are required if the side-wall exhaust vent termination is less than seven (7) feet above finished grade in the area of the venting, including but not limited to decks and porches. From Massachusetts Rules and regulations 248 CMR 5.08

1. Installation of Carbon Monoxide Detectors

At the time of installation of the side wall vented gas fueled appliance, the installing plumber or gasfitter shall observe that a hard-wired carbon monoxide detector with an alarm battery back-up is installed on the floor level where the gas appliance is to be installed. In addition, the installing plumber or gasfitter shall observe that a battery operated or hard-wired carbon monoxide detector with an alarm is installed on each additional level of the dwelling, building or structure served by the side-wall horizontally vented gas fueled equipment. It shall be the responsibility of the property owner to secure the services of qualified licensed professionals for installation of hard-wired carbon monoxide detectors.

a. In the event that the side-wall horizontally vented gas fueled equipment is installed in a crawl space or an attic, the hard-wired carbon monoxide with alarm and battery back-up may be installed on the next adjacent floor level.

b. In the event that the requirements of the subdivision cannot be met at the time of completion of installation, the owner shall have a period of thirty (30) days to comply with the above requirements, provided, however, that during said thirty (30) day period, a battery operated carbon monoxide detector with an alarm be installed.

2. Approved Carbon Monoxide Detectors

Each carbon monoxide detector shall comply with NFPA 720 and be ANSI/UL 2034 listed and IAS certified.

3. **Signage.** A metal or plastic identification plate shall be permanently mounted to the exterior of the building at a minimum height of eight (8) feet above grade directly in line with the exhaust vent terminal for horizontally vented gas fueled heating appliance or equipment. The sign shall read, in print no less than one-half (1/2) inch in size: "GAS VENT DIRECTLY BELOW, KEEP CLEAR OF ALL OBSTRUCTIONS".

4. **Inspection** The state or local gas inspector of the side-wall horizontally vented gas fueled appliance shall not approve the installation unless, upon inspection, the inspector observes carbon monoxide detectors and signage installed in accordance with the provisions of 248 CMR 5.08(2)(a) 1-4.

⚠ NOTICE

DO NOT COMMON VENT FT UNITS. FT units are never permitted to share a vent with Category I appliances.

⚠ AVIS

NE PAS ÉVENT COMMUNE FT UNITÉS. FT unités ne sont jamais autorisés à partager un évent Catégorie I avec les appareils.

Common Vent Test

NOTE: This section does not describe a method for common venting FT units. It describes what must be done when an existing unit is **removed** from a common vent system.

⚠ NOTICE

At the time of removal of an existing boiler, the following steps shall be followed with each appliance remaining connected to the common venting system placed in operation, while the other appliances remaining connected to the common venting system are not in operation.

1. Seal any Not Used openings in the common venting system.
2. Visually inspect the venting system for proper size and horizontal pitch and determine there is no blockage or restriction, leakage, corrosion and other deficiencies which could cause an unsafe condition.
3. Insofar as is practical, close all building doors and windows and all doors between the space in which the appliances remaining connected to the common venting system are located and other spaces of the building. Turn on clothes dryers and any appliance not connected to the common venting system. Turn on any exhaust fans, such as range hoods and bathroom exhausts, so they will operate at maximum speed.
4. Place in operation the appliance being inspected. Follow the lighting instructions. Adjust thermostat so the appliance will operate continuously.
5. Operate the main burner for 5 minutes then, determine if the cut-draw overflows to the discharge opening. Use the flame of a match or a candle or the smoke of a cigarette, a cigar or a pipe
6. Once it has been determined, according to the method indicated above, that each device connected to the drainage system is placed in the open air in an adequate manner. Install the doors and windows, fans, the registers of chimneys and gas appliances to their original position
7. Any malfunction of the venting system should be corrected so that the installation conforms to the National Fuel Gas Code, ANSI Z223.1/NFPA 54 and (or) the installation codes CAN/CSA-B149.1. If the size of a section of the evacuation system must be changed, the system should be modified to comply with the minimum values of the relevant tables of appendix F of the National Fuel Gas Code, ANSI Z223.1/NFPA 54 and (or) the installation codes CAN/CSA-B149.1

⚠ AVIS

Au moment du retrait d'une chaudière existante, les mesures suivantes doivent être prises pour chaque appareil toujours raccordé au système d'évacuation commun et qui fonctionne alors que d'autres appareils toujours raccordés au système d'évacuation ne fonctionnent pas:

1. Sceller toutes les ouvertures non utilisées du système d'évacuation.
2. Inspecter de façon visuelle le système d'évacuation pour déterminer la grosseur et l'inclinaison horizontale qui conviennent et s'assurer que le système est exempt d'obstruction, d'étranglement, de fuite, de corrosion et autres défaillances qui pourraient présenter des risques.
3. Dans la mesure du possible, fermer toutes les portes et les fenêtres du bâtiment et toutes les portes entre l'espace où les appareils toujours raccordés au système d'évacuation sont installés et les autres espaces du bâtiment. Mettre en marche les sècheuses, tous les appareils non raccordés au système d'évacuation commun et tous les ventilateurs d'extraction comme les hottes de cuisinière et les ventilateurs des salles de bain. S'assurer que ces ventilateurs fonctionnent à la vitesse maximale. Ne pas faire fonctionner les ventilateurs d'été. Fermer les registres des cheminées.
4. Mettre l'appareil inspecté en marche. Suivre les instructions d'allumage. Régler le thermostat de façon que l'appareil fonctionne de façon continue.
5. Faire fonctionner le brûleur principal pendant 5 min ensuite, déterminer si le coupe-tirage déborde à l'ouverture de décharge. Utiliser la flamme d'une allumette ou d'une chandelle ou la fumée d'une cigarette, d'un cigare ou d'une pipe.
6. Une fois qu'il a été déterminé, selon la méthode indiquée ci-dessus, que chaque appareil raccordé au système d'évacuation est mis à l'air libre de façon adéquate. Remettre les portes et les fenêtres, les ventilateurs, les registres de cheminées et les appareils au gaz à leur position originale.
7. Tout mauvais fonctionnement du système d'évacuation commun devrait être corrigé de façon que l'installation soit conforme au National Fuel Gas Code, ANSI Z223.1/NFPA 54 et (ou) aux codes d'installation CAN/CSA-B149.1. Si la grosseur d'une section du système d'évacuation doit être modifiée, le système devrait être modifié pour respecter les valeurs minimales des tableaux pertinents de l'appendice F du National Fuel Gas Code, ANSI Z223.1/NFPA 54 et (ou) les codes d'installation CAN/CSA-B149.1

4.7 Air Supply and Vent Connections at the Appliance

4.7.1 Vent / Air Pipe Lengths

Boiler model	3" Combustion Air / Vent Pipe		2" Combustion Air / Vent Pipe	
	Max	Elbow Max	Max	Elbow Max
FTHW (all sizes)	100' (30M)	6	50'* (15M*)	4

Table 6. Maximum Vent / Air Pipe Lengths for either 3" or 2" Pipes

*Propane models are limited to 25 equivalent feet of 2" vent

NOTE: For additional elbows, reduce maximum allowable length

- 5 feet (1.5M) for each additional 3-inch 90-degree elbow
- 2.5 feet (0.75M) for each additional 3-inch 45-degree elbow
- 8 feet (2.4M) for each additional 2-inch 90-degree elbow
- 4 feet (1.2M) for each additional 2-inch 45-degree elbow
- The thickness of the wall vents installed : Min 4" ~ Max 20"

NOTE: The FT is factory set to operate using 3" piping for Intake and Vent. For 3" Pipe vent, the default setting for DIP 4 is ON. If your installation is using a 2" vent pipe, DIP Switch 4 must be in the OFF position.

Refer to **Section 4:18**

4.7.2 Direct Venting

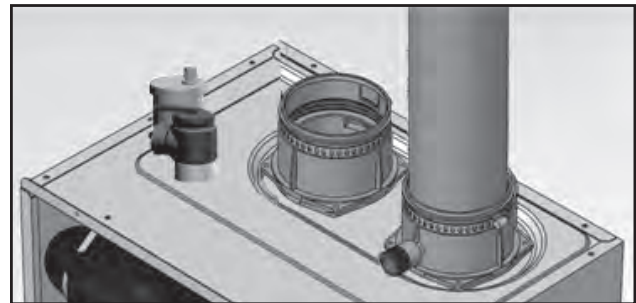
The FT boiler can use 3" or 2" diameter exhaust and 3" or 2" diameter intake air ducts. To ensure the draw of air directly from and exhaust of air directly to the outside of the building, create an airtight seal from the boiler collar to the vent termination.

(For installations in Canada) field-supplied plastic vent piping must comply with CAN/CSA B149.1 (latest edition) and be certified by the Standard For Type BH Gas Venting Systems, ULC-S636. Components of this listed system must not be interchanged with other vent systems or unlisted pipes or fittings. All plastic components and specified primers and glues of the certified vent system must be from a single system manufacturer and must not be intermixed with another system manufacturer's parts.

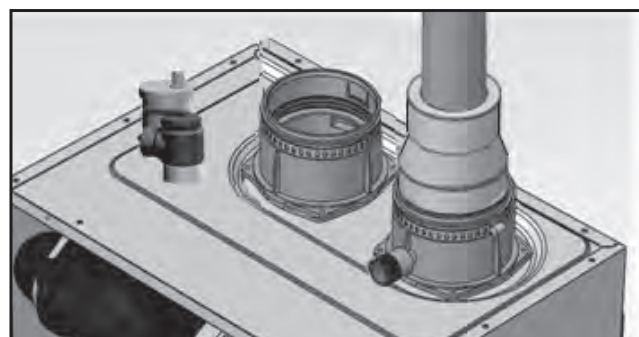
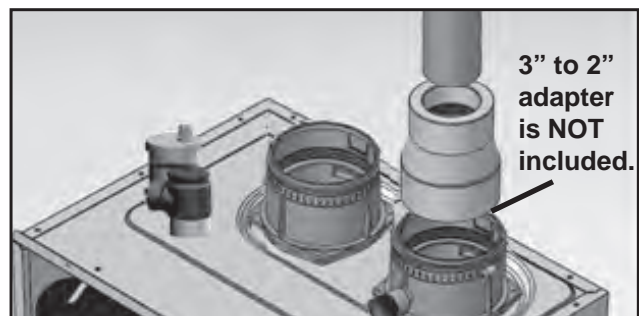
■ Tightening — Boiler Collar (Socket) to Vent Pipe & Inlet Pipe

- Clean and dry your selected PVC, CPVC vent pipe and Manufacturer Boiler collar (socket).
- You can select to the size of vent pipe(2" & 3"), according to the installation conditions.
- Push the pipe into the collar (socket) until it touches the bottom of the socket fitting.
- For 2" installations, install a field supplied 3" to 2" adaptor. Adaptor must be installed in vertical section of piping only.

3" pipe



2" pipe connected, using an adapter



4.7.3 Indoor Combustion Air

Read and Follow Sections 4.3 Guidelines First.

1. Insert the termination end cap into the intake air duct.
2. Provide two openings to allow for circulation of combustion air as specified by ANSI Z224.1/NFPA 54. In Canada refer to CAN/CSA B-149.1

NOTE: The FT needs fresh air for safe operation and must be installed so there are provisions for adequate combustion and ventilation air.



Model	FTHW80	FTHW100	FTHW120	FTHW140	FTHW199
Maximum Input (BTU/H)	80,000	100,000	120,000	140,000	199,000
Indoor make up air is provided, a minimum free area of 1 in ² per 1,000 BTU/H	80 in ² 13 1/4" (W) x 13 1/4" (H)	100 in ² 13 1/4" (W) x 13 1/4" (H)	120 in ² 13 1/4" (W) x 13 1/4" (H)	140 in ² 13 1/4" (W) x 13 1/4" (H)	199 in ² 13 1/4" (W) x 13 1/4" (H)

Table 7. Adequate Free Area

⚠ WARNING

- Use of cellular core CPVC, or Radel (polyphenolsulfone) in venting systems is prohibited.
- Covering non-metallic vent pipe and fittings with thermal insulation is prohibited.
- Do not obstruct the flow of combustion and ventilated air.

4.8 Vent / Air Pipe Termination

Note : For using more than 1 elbow in your vent pipe, reduce maximum allowable length

- 5 feet (1.5M) for each additional 3-inch 90-degree elbow
- 2.5 feet (0.75M) for each additional 3-inch 45-degree elbow
- 8 feet (2.4M) for each additional 2-inch 90-degree elbow
- 4 feet (1.2M) for each additional 2-inch 45-degree elbow
- The thickness of the wall vents installed :
Min 4" ~ Max 20"

Vent Termination

1. Rodent Screen Installation

- Install Rodent Screen and Vent Terminal (additional purchase), see Figure for appropriate configuration.
- After connecting vent/air inlet terminal, it is required to install screen for the terminal to prevent incoming of rodent, which might cause damage to the unit. (Extra purchase accessory 2/3" screen vent 1/4" mesh)

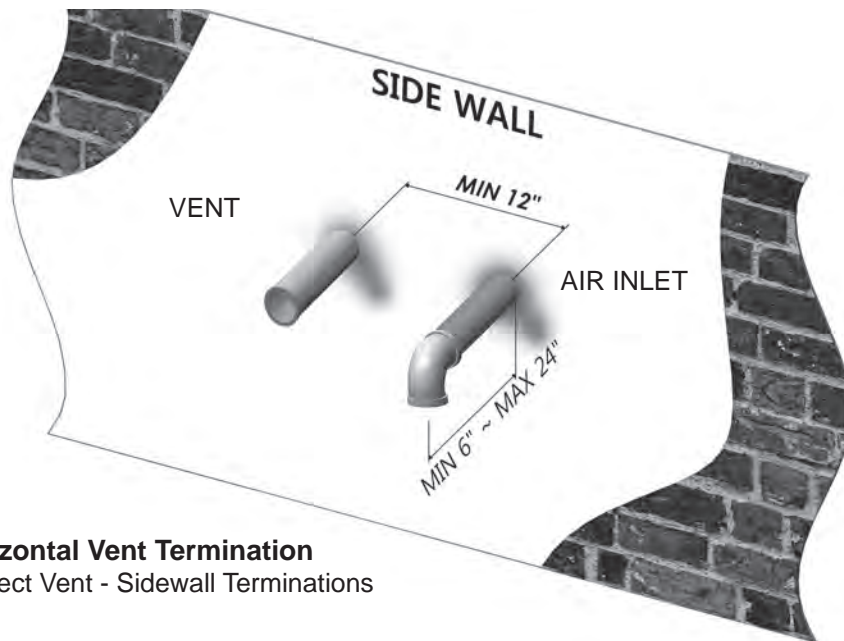
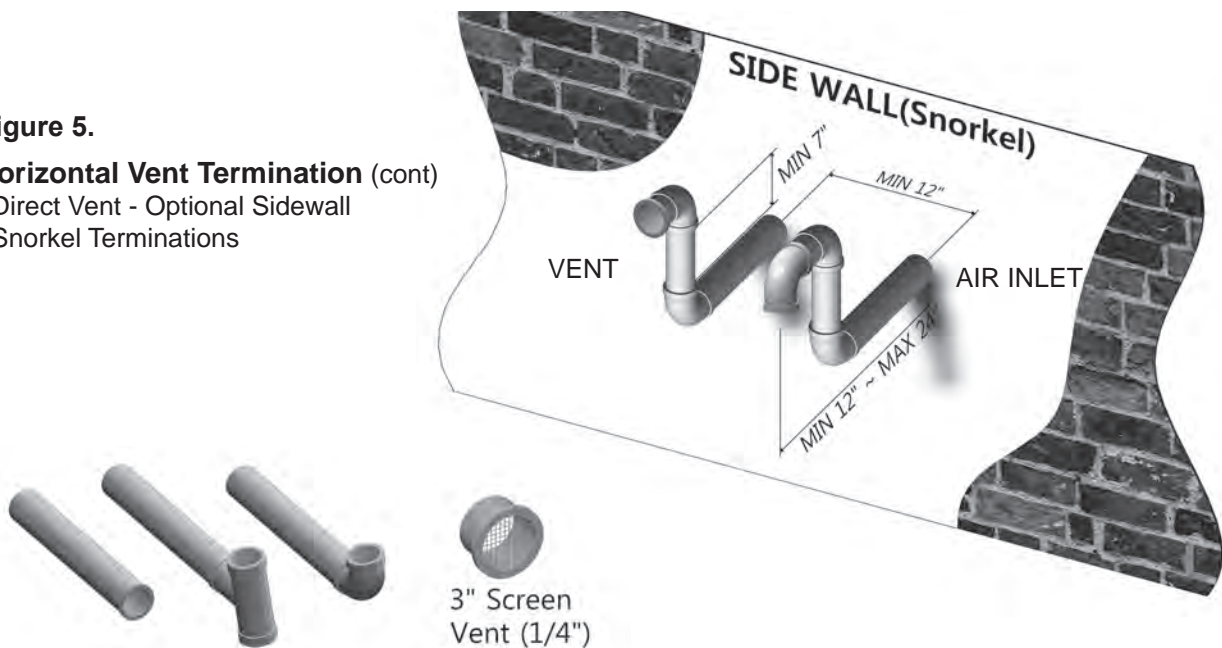


Figure 4. Horizontal Vent Termination
• Direct Vent - Sidewall Terminations

Figure 5. Horizontal Vent Termination (cont)
• Direct Vent - Optional Sidewall Snorkel Terminations



4.8 Vent Pipe Termination (continued)

Figure 6.

Vertical Vent Termination

- Direct Vent - Vertical Terminations with Sloped Roof

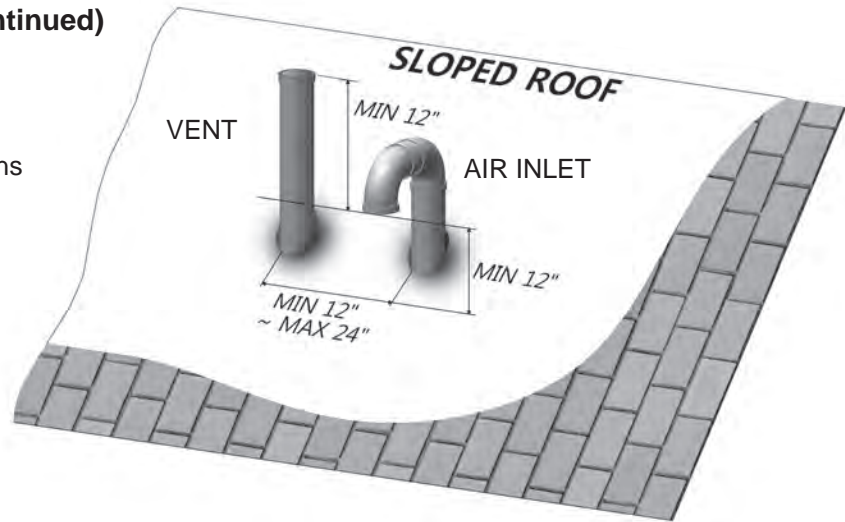


Figure 7.

Direct Vent

- Optional Side Wall Terminations

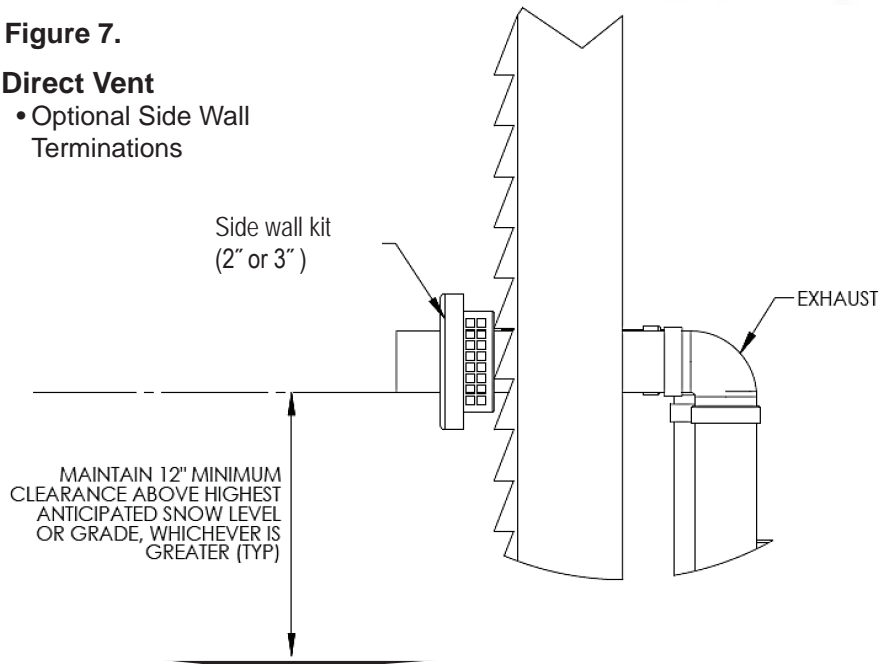
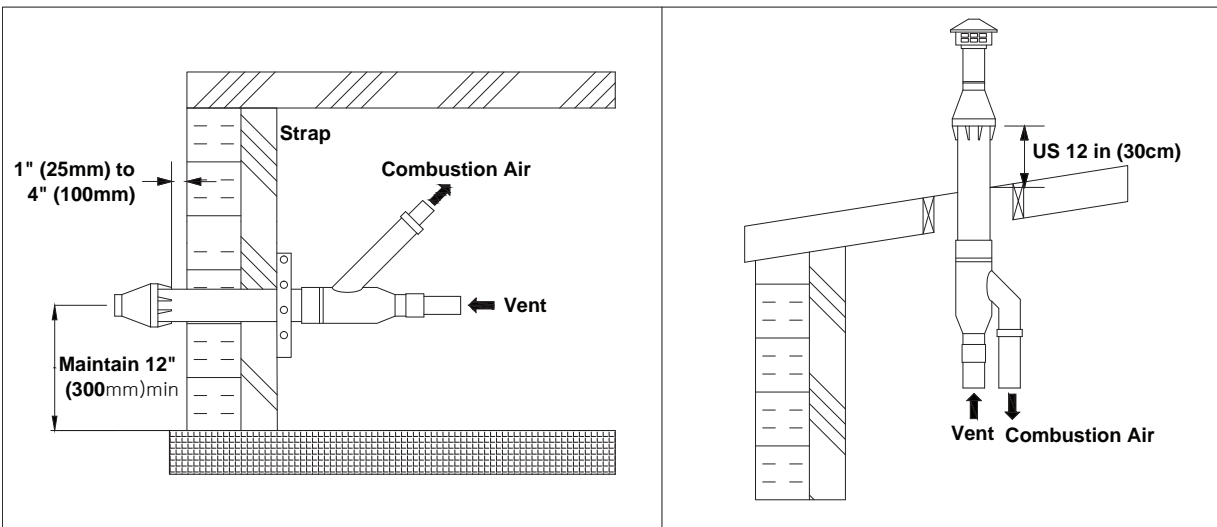


Figure 8. Concentric Vent Termination

- Direct Vent - Optional Horizontal and Vertical Concentric Vent



4.9 Gas Supply and Piping

Gas piping should be supported by suitable hangers or floor stands, not the appliance.

Review the following instructions before proceeding with the installation.

1. Verify that the appliance is fitted for the proper type of gas by checking the rating plate. FT will function properly at elevations up to 10,000 feet (3050 m). Refer to Section 4.12 for High Altitude Settings.
2. The maximum inlet gas pressure must not exceed 13" W.C. (3.2kPa). The minimum inlet gas pressure is 3.5" W.C. (1.0kPa).
3. Refer to **Table 8**, **Table 9** and **Table 10** to size piping.
4. Run gas supply line in accordance with all applicable codes.
5. Locate and install manual shutoff valves in accordance with state and local requirements.
6. A sediment trap must be provided upstream of the gas controls.
7. All threaded joints should be coated with piping compound resistant to action of liquefied petroleum gas.
8. The appliance and its individual shutoff valve must be disconnected from the gas supply piping during any pressure testing of that system at test pressures in excess of 1/2 PSIG (3.45kPa).
9. The unit must be isolated from the gas supply system by closing its individual manual shutoff valve during any pressure testing of the gas supply piping system at test pressures equal to or less than 1/2 PSIG (3.45kPa).
10. The appliance and its gas connection must be leak tested before placing it in operation.
11. Purge all air from gas lines.

⚠ CAUTION

PRV (included) must be installed immediately at the top of boiler outlet to PRV, with no valves between. Refer to Section 4.15

⚠ ATTENTION

PRV (inclus) doit être installé immédiatement en haut de la chaudière sortie de PRV, sans les vannes entre. Se reporter à la Section 4.15

⚠ WARNING:

Open flame can cause gas to ignite and result in property damage, severe injury, or loss of life.

NOTE: The FT appliance and all other gas appliances sharing the gas supply line must be firing at maximum capacity to properly measure the inlet supply pressure. The pressure can be measured at the supply pressure port on the gas valve. Low gas pressure could be an indication of an undersized gas meter, undersized gas supply lines and/or an obstructed gas supply line.

SCH 40 METAL PIPE CAPACITY FOR 1.50 SPECIFIC GRAVITY UNDILUTED PROPANE			
NOMINAL PIPE SIZE @ 11" W.C. INLET AND 0.5" W.C. PRESSURE DROP			
SIZE	1/2"	3/4"	1"
LENGTH	MAXIMUM CAPACITY IN THOUSANDS OF BTU PER HOUR		
20	200	418	787
40	137	287	541
60	-	231	434
80	-	197	372
100	-	175	330

NOTES: 1. Follow all local and national propane gas codes for line sizing and equipment requirements. 2. Verify that inlet gas pressure remains between 4 and 13 inches of water column before and during operation. Source: ANSI Z223.1-80 National Fuel Gas Code.

Table 8. Nominal Pipe Size, Propane

SCH 40 METAL PIPE CAPACITY FOR 0.60 SPECIFIC GRAVITY NATURAL GAS		
NOMINAL PIPE SIZE @ 0.30" W.C. PRESSURE DROP		
LENGTH	3/4"	1"
FT	CUBIC FEET OF GAS PER HOUR	
20	190	350
40	130	245
60	105	195
80	90	170
100		

Table 9. Nominal Pipe Size, Natural Gas

EQUIVALENT LENGTHS OF STRAIGHT PIPE FOR TYPICAL SCH 40 FITTINGS			
NOMINAL PIPE SIZE			
FITTING	1/2"	3/4"	1"
LINEAR FEET			
90° ELBOW	3.6	4.4	5.2
TEE	4.2	5.3	6.6

Table 10. Equivalent Pipe Lengths

4.9 Gas Supply and Piping (continued)

Natural Gas Pipe Sizing (Maximum)

Maximum capacity of pipe in cubic feet of gas per hour for gas pressures of 0.5psi or less and a pressure drop of 0.5 Inch water column. (Based of a 0.60 Specific gravity gas)

- For reference only. Referenced from gas pipe manufacturer specifications for actual delivery capacity. The DOE standard for Natural Gas is 1100 BTU/ft³. Contact the local gas supplier for actual BTU/ft³ rating.

Pipe size	Length (ft)									
	10	20	30	40	50	60	80	100	150	200
1/2"	82	58	47	41	37	37	29	26	20	18
3/4"	192	137	112	97	87	80	69	62	48	44
1"	383	269	218	188	168	153	132	118	91	82
1-1/4"	639	456	374	325	292	267	232	208	171	148
1-1/2"	1260	888	723	625	559	509	440	393	320	277
2"	2930	2080	1700	1470	1320	1200	1040	933	762	661

Table 11. Length of Corrugated Stainless Steel Pipe.

(Refer to the ANSI Z223.1 NATIONAL FUEL GAS CODE 2012 EDITION)

Pipe size	Length (ft)									
	10	20	30	40	50	60	80	100	150	200
1/2"	172	118	95	81	72	65	56	50	40	34
3/4"	360	247	199	170	151	137	117	104	83	71
1"	678	466	374	320	284	257	220	195	157	134
1-1/4"	1390	957	768	657	583	528	452	400	322	275
1-1/2"	2090	1430	1150	985	873	791	677	600	482	412
2"	4020	2760	2220	1900	1680	1520	1300	1160	928	794

Table 12. Length of Black Iron Pipe (Schedule 40 Metallic)

(Refer to the ANSI Z223.1 NATIONAL FUEL GAS CODE 2012 EDITION)

■ Propane Gas Pipe Sizing (Maximum)

Intended use : Pipe Sizing Between Single-or Second-Stage (Low Pressure) Regulator and Appliance.

■ For reference only. Referenced from gas pipe manufacturer specifications for actual delivery capacity. The DOE standard for Natural Gas is 1100 BTU/ft3. Contact the local gas supplier for actual BTU/ft3 rating.

Inlet Pressure : 11 in. w.c / Pressure Drop : 0.5in. w.c / Specific Gravity : 1.5

Pipe size	Length (ft)									
	10	20	30	40	50	60	80	100	150	200
1/2"	129	91	74	64	58	53	45	41	31	28
3/4"	303	216	177	153	137	126	109	98	75	69
1"	605	425	344	297	265	241	208	186	143	129
1-1/4"	971	661	528	449	397	359	307	270	217	183
1-1/2"	1990	1400	1140	988	884	805	696	621	506	438
2"	4640	3290	2680	2330	2080	1900	1650	1480	1210	1050

Table 13. Length of Corrugated Stainless Steel Pipe.

(Refer to the ANSI Z223.1 NATIONAL FUEL GAS CODE 2012 EDITION)

Pipe size	Length (ft)									
	10	20	30	40	50	60	80	100	150	200
1/2"	291	200	160	137	122	110	101	94	84	67
3/4"	608	418	336	287	255	231	212	197	175	140
1"	1150	787	632	541	480	434	400	372	330	265
1-1/4"	2350	1620	1300	1110	985	892	821	763	677	543
1-1/2"	3520	2420	1940	1660	1480	1340	1230	1140	1010	814
2"	6790	4660	3750	3210	2840	2570	2370	2200	1950	1570

Table 14. Length of Black Iron Pipe (Schedule 40 Metallic)

(Refer to the ANSI Z223.1 NATIONAL FUEL GAS CODE 2012 EDITION)

4.9 Gas Supply and Piping (continued)

- The gas connection fitting on the unit is 3/4" female NPT.
- The supply line must be sized for the maximum output of the boiler model being installed. If there are additional gas appliances from the main supply line, you must measure sizes of the supply line according to the COMBINED total maximum BTUH draw for the appliances as if they were all operating at the same time.
- Measure the length of the gas supply line from the gas meter to the Boiler. Use the tables in this manual or refer to the gas line manufacturers sizing information to determine the correct supply pipe size.
- The gas shut-off valve in the gas supply line should be installed close to the unit.
- To facilitate any future maintenance, it is also

recommended that an approved gas union fitting be installed in the supply line between the shut-off valve and the 3/4" female NPT connection on the Boiler.

- 1) Install an approved gas line pipe to gas line connection under the Boiler. Include manual shut off valve and gas union connection, as shown.
 - 2) Test gas pressure to make sure it meets the minimum standards and does not exceed the maximum standards for the boiler.
 - 3) Leak test the gas line pipe before placing the unit in operation. Use approved leak detector liquid solutions only to check for leaks.
- Do Not Operate the boiler until all connections have been completed, checked for leaks, and the heat exchanger is filled with water.

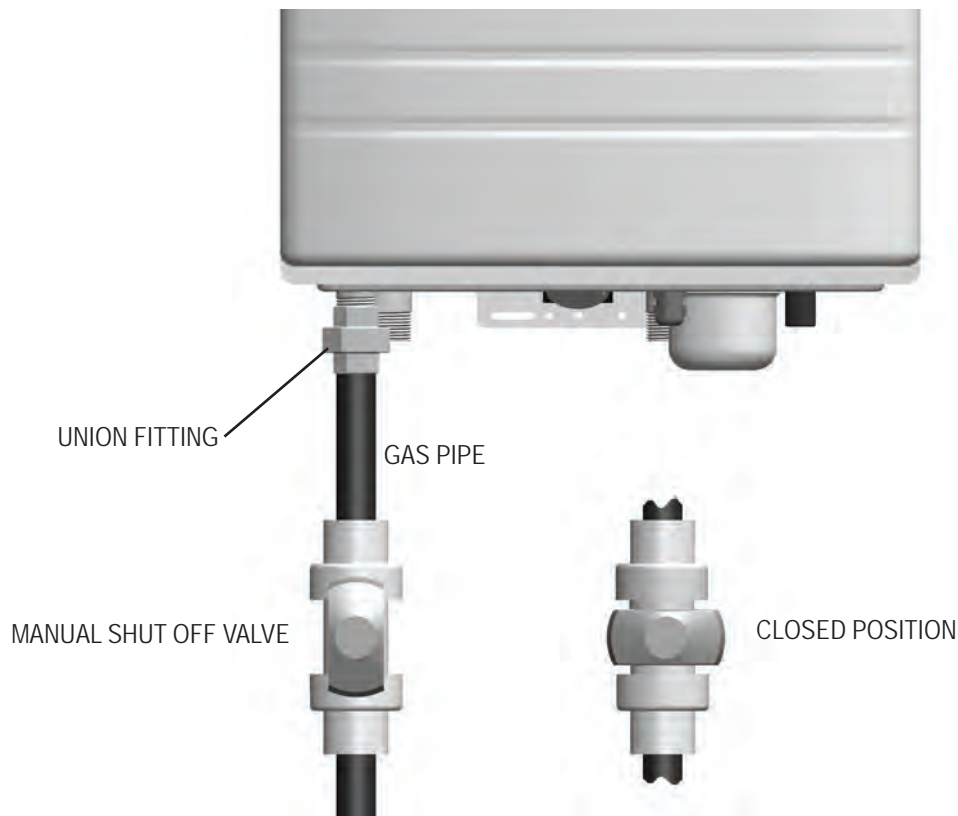
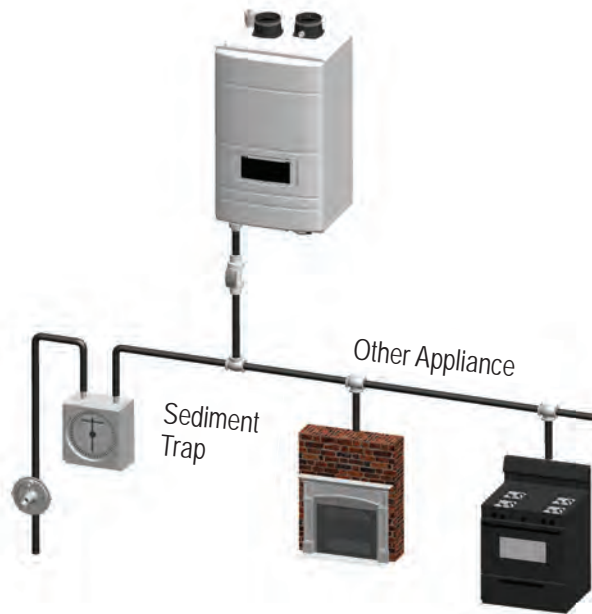


Figure 9. Gas Line Valve Detail

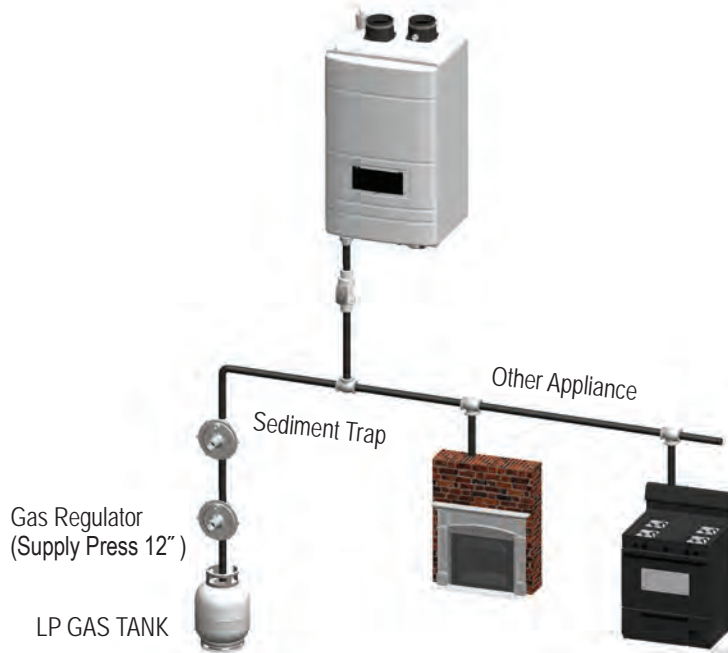
Suggested Natural Gas (NG) Layout

Capacity : Not less than 'total capacity of connected appliances'



Suggested Propane Gas (LP) Layout

Capacity : not less than 'total capacity of connected appliances'



- Boiler must be installed downstream of the gas meter for adequate gas supply.
- Boiler gas connection pipe not less than a 1/2".

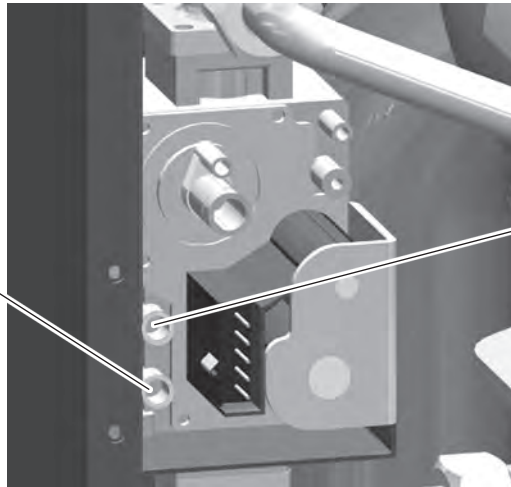
4.10 Gas Supply Pressure

- The minimum and maximum inlet gas line pressures must be

Natural Gas		LP Gas	
Maximum Pressure	10.5" WC	Maximum Pressure	13.0" WC
Minimum Pressure	3.5" WC	Minimum Pressure	8.0" WC

Gas Valve
80 - 140 MBH

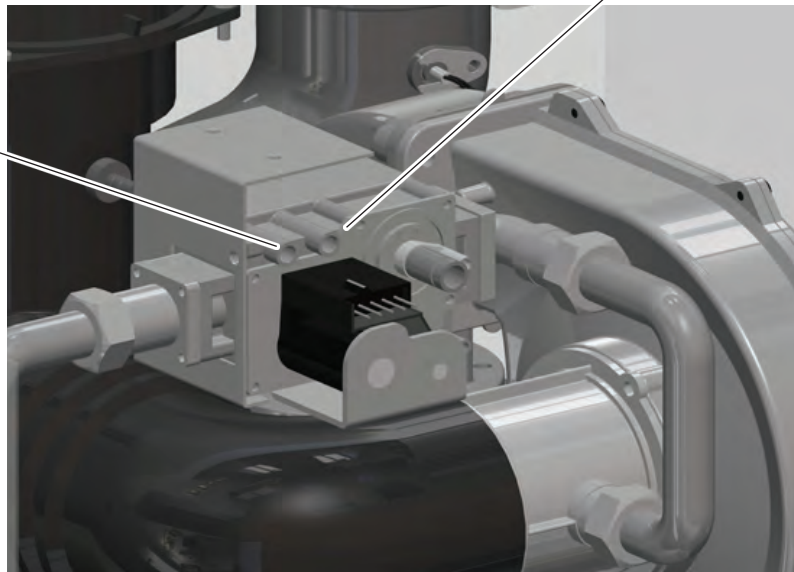
Inlet Gas Pressure Port



Manifold Pressure Port

Gas Valve
199 MBH

Inlet Gas Pressure Port



Manifold Pressure Port

⚠ CAUTION

- The appliance and its individual shut-off valve must be disconnected from the gas supply piping system during any pressure testing of the system at test pressures in excess of 1/2 psi (3.5 kPa).
- The appliance must be isolated from the gas supply piping system by closing its individual manual shut-off valve during any pressure testing of the gas supply piping system at test pressures equal to or less than 1/2 psi (3.5 kPa).
- Loosen the pressure port bolts before you check the gas inlet pressure.

4.11 Gas Setup and Adjustment

For the Step by step process to measure CO₂ values on the FT, please refer to Steps 12 thru Step 22 in Section 4.13 of this Installation Manual.



Installer is required to verify combustion settings as part of the installation process.

Standard Factory Setting is for MAX Fire. 9.0% CO₂ @ 0-2,000 ft altitude (Natural Gas).

CO ₂ value		Propane Gas (LP)		Natural Gas (NG)	
		2" VENT	3" VENT	2" VENT	3" VENT
All sizes	Max fire	9.5~11%		8.5~10.5%	
	Min fire	9~10.5 %		8~10%	

Table 15. CO₂ Values



Manifold pressure		Propane Gas (LP)	Natural Gas (NG)
FTHW 80/100	Max fire	-0.102" WC	-0.102" WC
	Min fire	0.00" WC	0.00" WC
FTHW 120/140	Max fire	-0.216"WC	-0.216"WC
	Min fire	0.00" WC	0.00" WC
FTHW 199	Max fire	-0.173WC	-0.134" WC
	Min fire	-0.015" WC	-0.015" WC

Table 16. Manifold Pressures

4.12 High Altitude Installations. 2,000' to 10,000'

The FT is shipped with a default factory setting for installation at an altitude of 0 to 2000' (approx). For maximum efficiencies at higher altitudes (2,000' to 10,000'), the FT does have an adjustment in the Installer Parameters Mode.

Follow these instructions if your installation is at 2,000' - 10,000'.

1. With the Power  turned OFF, press the 'Modes button'  for 5 seconds to get into the Installer Parameters Mode.

2. Turn the dial (E) until '**33:HA**' appears.

3. Press the dial (E).

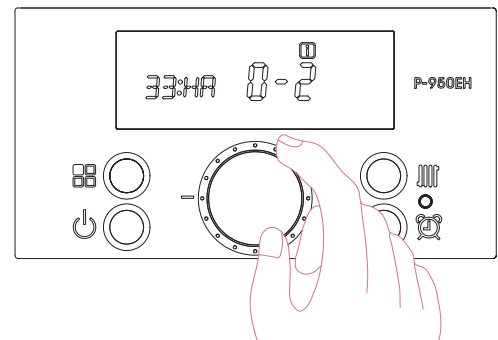
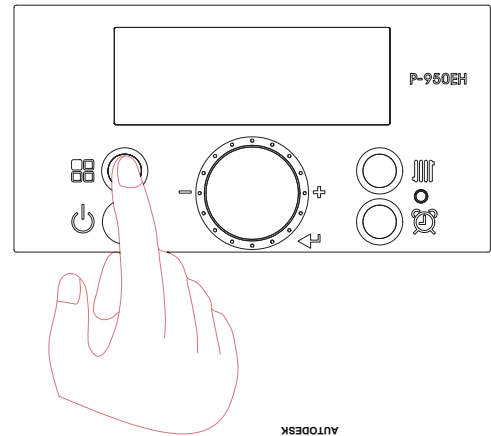
4. Set the high altitude value by turning the dial.

Refer to table.

#	Altitude of Installation
0	0~1999 ft (0~609 m)
1	2,000~4,499 ft (610~1,645 m)
2	4,500~7,699 ft (1,646~2,346 m)
4	7,700~10,000 ft (2,347~3,048 m)

5. Press the dial again (E) to save the setting.

6. Press the 'Modes button'  for one second, to Save the number and to go back to initial status.



4.13 Natural Gas to Propane Conversion

Kit Document #4296

Kit # R20773

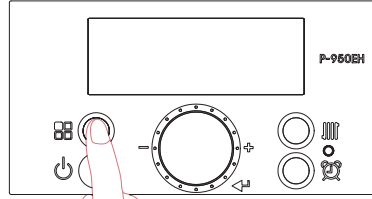
The FT Series, heating only, condensing boiler is configured for Natural Gas (NG) from the factory. A Natural Gas to Propane Conversion Kit is included with every FT. The gas conversion kit will show you how to convert your FT boiler to propane gas. If your FT does not have the bag containing the conversion kit, a replacement kit can be obtained. Contact the manufacturer and request a replacement gas conversion kit.

NOTICE

If your installation altitude is greater than 2000 ft, check that the 'High Altitude' Installer Setting has been adjusted to suit your installation altitude. Refer to Section 4.12 of the Installation and Operation Instructions (Document 1342).

WARNING

This gas conversion kit shall be installed by a qualified service agency in accordance with the manufacturer's instructions and all applicable codes and requirements of the authority having jurisdiction. The information in these instructions must be followed to minimize the risk of fire or explosion or to prevent property damage, personal injury or death. The qualified service agency is responsible for the proper installation of this kit. The installation is not proper and complete until the operation of the converted appliance is checked as specified in the manufacturer's instructions supplied with the kit. Installation must conform to local codes and the latest edition of the National Fuel Gas Code, ANSI Z223.1 and CAN-B149.1. Failure to follow instructions could result in serious injury or property damage. The qualified agency performing this work assumes responsibility for gas conversion.



ON / OFF

Steps 1 thru 24

1. Turn **OFF** the FT. The **ON / OFF** button is located at the bottom left of the Control Display.
2. Turn **OFF** the GAS and WATER supply to the FT (valves are located on the plumbing pipes.)



Model	Nat Gas (NG) Part #	Propane (LP) Part #
FTHW 80	FT1854	FT1857
FTHW 100	FT1855	FT1858
FTHW 120	FT1856	FT1859
FTHW 140	FT1083N	FT1083P
FTHW 199	FT1780	FT1802

Nozzles



Orifice



Table A. Gas Conversion Parts

CAUTION

This boiler has been assembled at the factory to burn natural gas, but can be converted to burn LP gas. Be sure to confirm that the gas at this installation is propane gas (LP), before performing this conversion, and then placing the boiler into operation.

WARNING

This conversion shall be installed by a qualified service agency in accordance with the manufacturer's instructions and all applicable codes and requirements of the authority having jurisdiction. If the information in these instructions is not followed exactly, a fire, an explosion or production of carbon monoxide may result causing property damage, personal injury or loss of life. The qualified service agency is responsible for the proper and complete installation of this kit. The installation is not proper and complete until the operation of the converted appliance is checked as specified in the manufacturer's instruction supplied with the kit. Installation must conform to local codes and the latest edition of the National Fuel Gas Code, ANSI Z223.1 and CAN-B149.1. Failure to follow instructions could result in serious injury or property damage. The qualified agency performing this work assumes responsibility for gas conversion.



AVERTISSEMENT

Ce conversion doit être installé par un organisme de service conformément aux instructions du fabricant et tous les codes et les exigences de l'autorité compétente. Si les informations contenues dans ces instructions n'est pas suivi à la lettre, un incendie, une explosion ou de la production de monoxyde de carbone mais résultat causant des dommages matériels, des blessures ou des pertes de vie. Le service est responsable pour la bonne et complète l'installation de ce kit. L'installation n'est pas correcte et complète jusqu'à ce que le fonctionnement de l'appareil converti est vérifiée comme spécifié dans le manuel d'instruction fourni avec le kit. L'installation doit être conforme aux codes locaux et la dernière édition du National Code de gaz combustible, ANSI Z223.1 et peut-B149.1. Non-respect des instructions peut entraîner des blessures graves ou des dommages matériels. L'organisme qualifié effectuant ce travail suppose la responsabilité de conversion au gaz.

4.13 Natural Gas to Propane Conversion (continued)

3. Using a Phillips screwdriver, remove the 4 screws on the front cover. See Figure A.

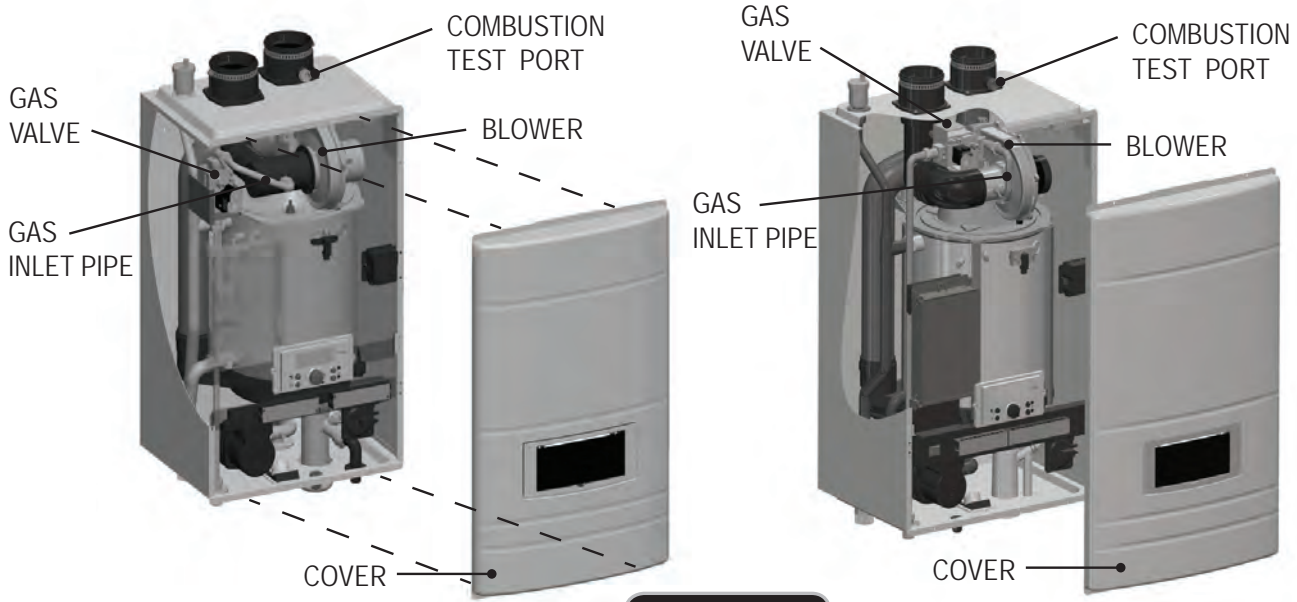


Figure A

(FTHW 80/100/120/140)

(FTHW 199)

4. Locate the Gas Inlet Pipe at the top of the unit as is shown in Figure A, and loosen the Brass Fittings at both ends of the Gas Inlet Pipe.

5. Completely un-thread the Brass Fittings at the blower end of the Gas Inlet Pipe, and then carefully swing the Gas Inlet Pipe to the left, just enough so that it is out of the way. See Figure B.

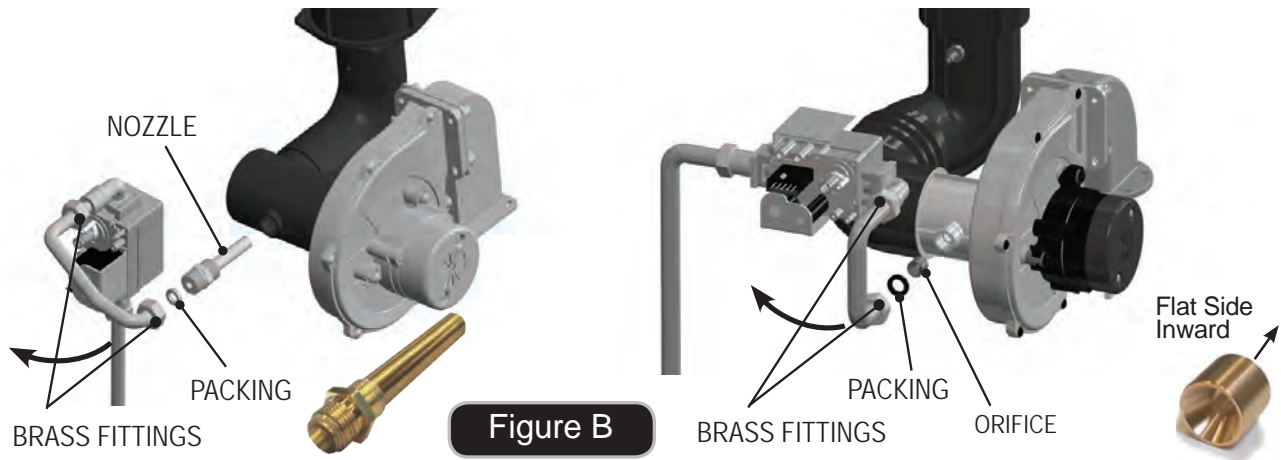


Figure B

(FTHW 80/100/120/140)

(FTHW 199)

6. Remove the existing Natural Gas Nozzle (or Orifice). Save the Packing for re-use. It is also advised to save the nozzle or orifice just in case the unit needs to be converted back to natural gas at any time in the future.

7. Replace the old Nozzle (or Orifice) with the new one for LP (propane). Re-use the Packing from previous.

8. Return the Gas Inlet Pipe to its original position and tighten both of the Brass Fittings.

4.13 Natural Gas to Propane Conversion (continued)

	ON		OFF		
	MIN Fire		Normal Operation		
	MAX Fire		Normal Operation		
	NG Natural		LP Propane		
	3" Vent Size		2" Vent Size		
	ON	OFF	ON	OFF	ON
	OFF	ON	ON	OFF	ON
	OFF	OFF	ON	ON	ON
MBH	80	100	120	140	N/A 199

REFERENCE ONLY. DO NOT CHANGE

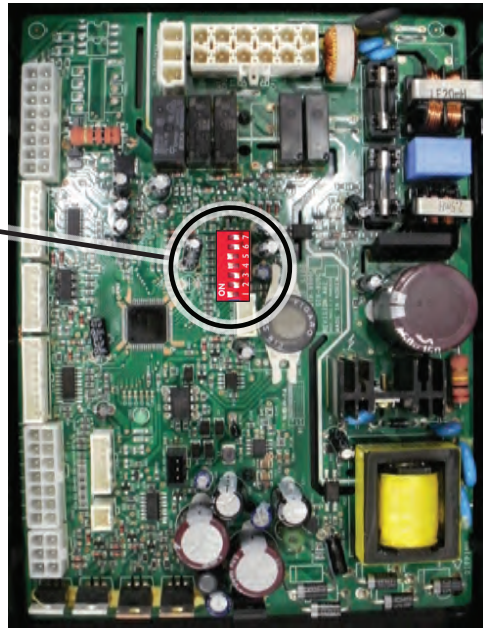


Figure C

Table B DIP Switch Settings

- Per **Table B**, set DIP Switch **5** to **OFF** for LP Propane.
- Turn **ON** the GAS and WATER supply to the FT.
- Turn **ON** the FT.
- Connect a manometer to the manifold pressure port. For dual port manometers, use the positive pressure side. Check for proper manifold gas pressure. Refer to Table C.

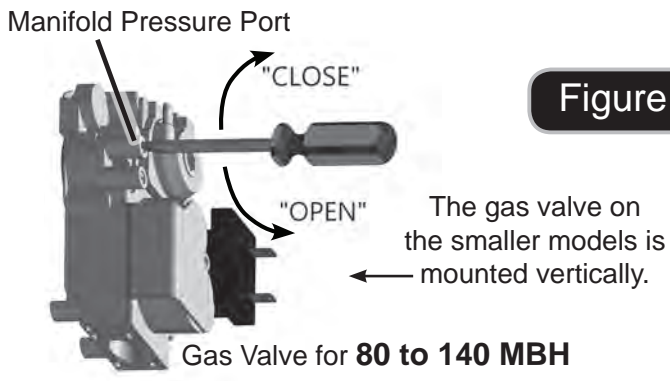
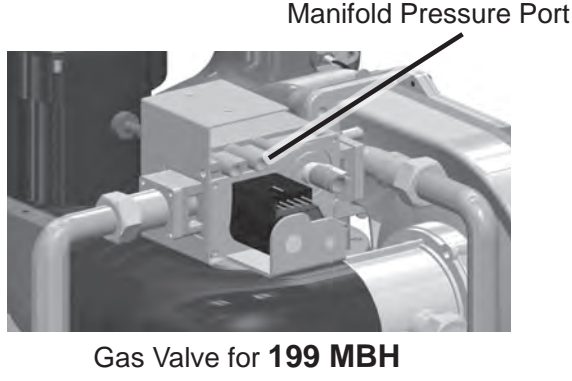


Figure D



Manifold pressure		Propane Gas (LP)	Natural Gas (NG)
FTHW 80/100	Max fire	-0.102" WC	-0.102" WC
	Min fire	0.00" WC	0.00" WC
FTHW 120/140	Max fire	-0.216" WC	-0.216" WC
	Min fire	0.00" WC	0.00" WC
FTHW 199	Max fire	-0.173 WC	-0.134" WC
	Min fire	-0.015" WC	-0.015" WC

Table C

- Establish a call for heat. You may need to disconnect the outdoor reset if you are making this gas conversion during warm weather.

4.13 Natural Gas to Propane Conversion (continued)

CO ₂ value		Propane Gas (LP)		Natural Gas (NG)	
		2" VENT	3" VENT	2" VENT	3" VENT
All sizes	Max fire	9.5~11%		8.5~10.5%	
	Min fire	9~10.5 %		8~10%	

Table D

14. Setup your combustion analyser and place the sensor into the combustion test port
15. Per **Table B for Max Fire**, change dip switch 6 to ON and 7 to OFF. The unit will cycle up to MAX fire.
16. WAIT for your combustion analyser to stabilize. This may take up to 3 minutes depending on your combustion analyser. Then measure the CO₂ for MAX fire. Refer to Table C for acceptable MAX fire combustion readings Do NOT adjust CO₂ at MAX Fire. ONLY in MIN Fire, so...
17. Per **Table B for MIN Fire**, change dip switch 6 to OFF and 7 to ON. The unit will cycle down to MIN Fire.
18. WAIT for your combustion analyser to stabilize. Then measure the CO₂ for MIN fire. Refer to Table D for acceptable MIN fire combustion readings
19. Open the Gas Valve Adjustment Port by removing the cap screw with a 4mm Allen wrench.
20. Then use the 4 mm Allen wrench to make a minor adjustment (1/8 turn) to either increase or decrease CO₂.
21. It may be necessary to go back and forth between HI Fire and LOW Fire several times (and making adjustments only at LOW Fire), before CO₂ at both are within acceptable levels. Be sure to put the adjustment port cap screw back onto the valve when done.
22. Once the CO₂ and manifold pressure measurements for both MIN and MAX Fire are acceptable per Table C, set DIP switches 6 and 7 to the OFF position for Nominal Fire (normal operation).
23. Write in the correct conversion date and the technicians name to the included gas conversion sticker. See Figure E. Then apply that sticker adjacent to the rating plate.
24. Put the boiler cover back on and assemble/tighten the 4 screws that hold the cover in place.

This unit was converted on ____/____/____ to ____gas
 with kit # _____ by _____
 (name and company _____
 accountable) _____

Cette unité a été converti ____/____/____ ten ____gaz
 en utilisant le kit numéro ____ par _____
 (nom et société _____
 responsable) _____

Figure E (Conversion label)

4.14 Plumbing Guidelines

■ External Plumbing and Water Connection Guidelines

- Ensure pipe material meets local codes and industry standards.
- The pipe end must be clean and free of debris.
- Do not apply torch heat within 12" of the bottom connections of the unit.
- The size of the DHW pipe should be 3/4" diameter and central heating water pipe should be 1" diameter.
- Isolation valves(Shutoff valve) will be used.
- All piping should be insulated.

■ Applicable Backflow Preventer

- Apply a backflow preventer valve in the DHW supply inlet (water Inlet) to the unit as required by local codes.










- Use at least the MINIMUM pipe size for the entire boiler loop piping (connecting boiler to and from the primary/secondary connection). Use only primary/secondary piping as shown. Failure to follow these guidelines could result in system problems.
- CH pipe minimum size : 1"
- DWH pipe minimum size : 3/4"

4.14 Plumbing Guidelines

■ Diaphragm type Expansion tank

- The air in a diaphragm-type expansion tank is separated from the water by a flexible rubber membrane. When the tank is installed in and connected to the piping of the system, water enters the other side of the tank chamber and presses down on the diaphragm.
- You should always install an 'Automatic Air Vent on the top of the air separator to remove residual air from the system.
- Automatic air vent has been installed on the inside of the boiler.

- The installation of additional air vent is optional.
- If the boiler is installed in a closed water supply system, such as one having a backflow preventer in the cold water supply line, it will control thermal expansion.

	Gate valve
	Expansion tank (Closed type)
	Air separator
	Circulation pump
	Check valve
	Isolation valve
	Pressure relief valve

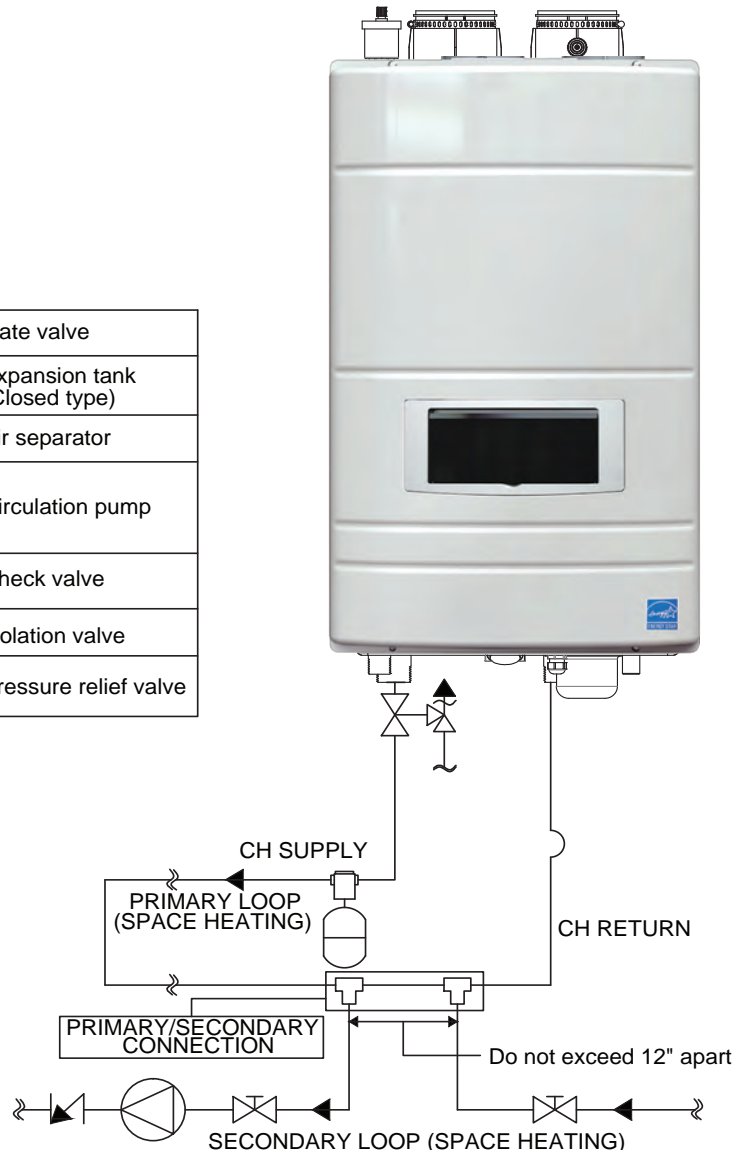


Figure 10. Plumbing Diagram using a Diaphragm Type Expansion Tank

4.14 Plumbing Guidelines

■ Zoning with circulation pump

- Each heating zone of a pump based system has its own circulator pump which runs when the zone needs it.
- Each zone thermostat goes to a controller which controls the pumps.

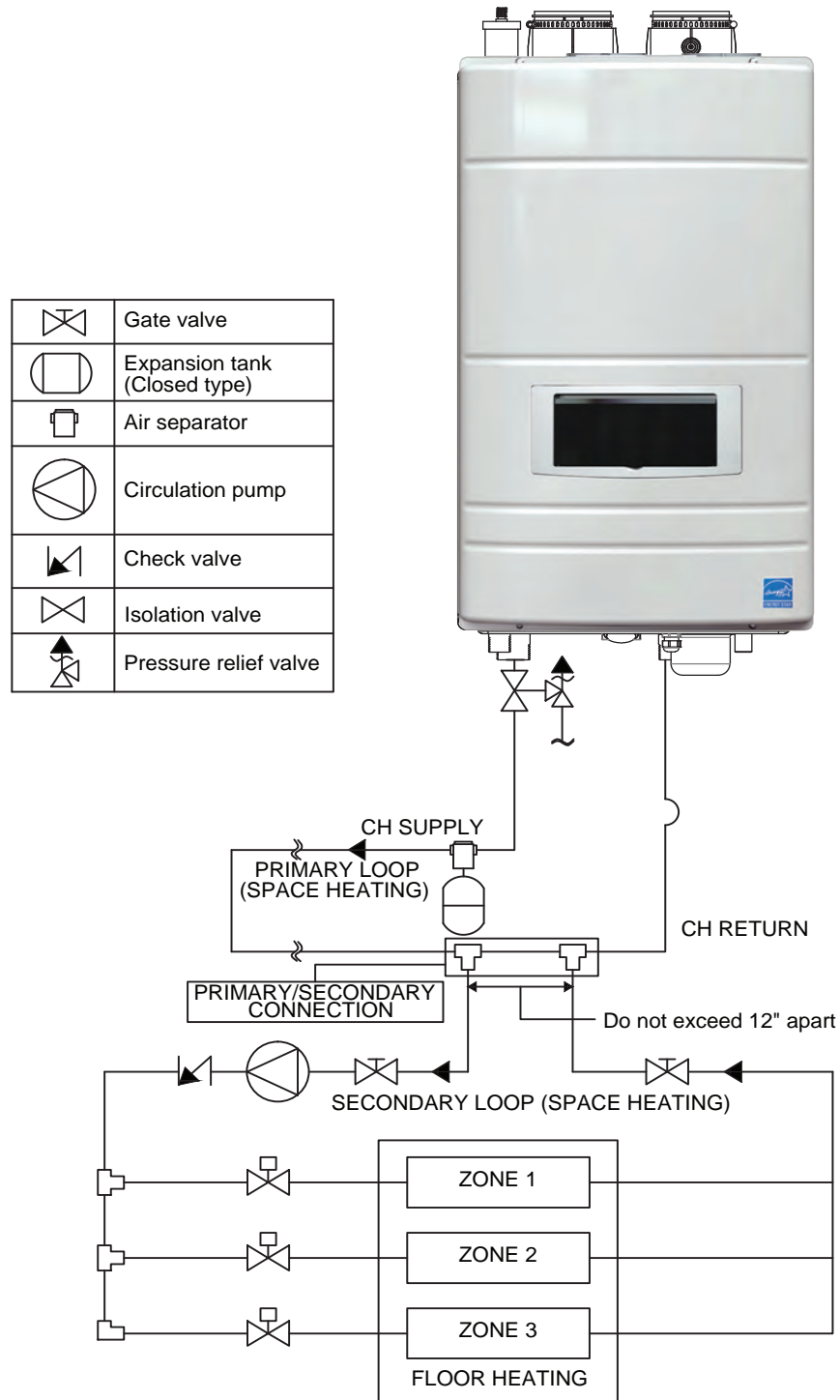


Figure 11. Plumbing Diagram using zones and circulation pumps

4.14 Plumbing Guidelines

■ Zoning with zone valve

- In a valve based system, there is one circulator pump at the boiler and each heating zone has a zone valve which opens when the zone.
- Each thermostat is wired directly to the corresponding zone valve. Contacts in the zone valves provide a proper signal to the boiler when the valve is opened.

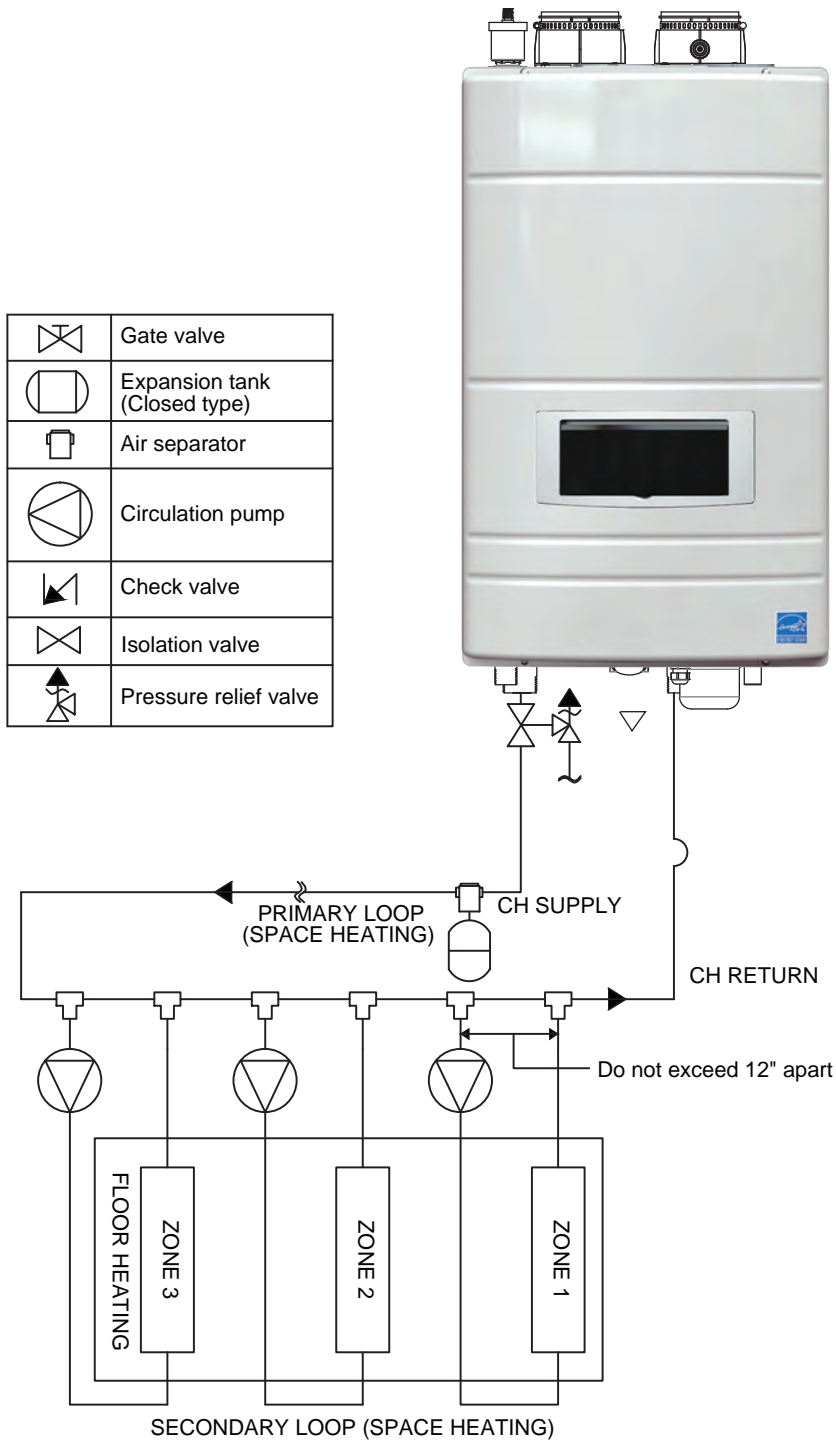


Figure 12. Plumbing Diagram using zones and zone valves

4.14 Plumbing Guidelines

■ Indirect Water Heating

- Installer is responsible for all equipment and detailing required by local codes.
- The minimum pipe size of CH piping should be 1" in diameter.

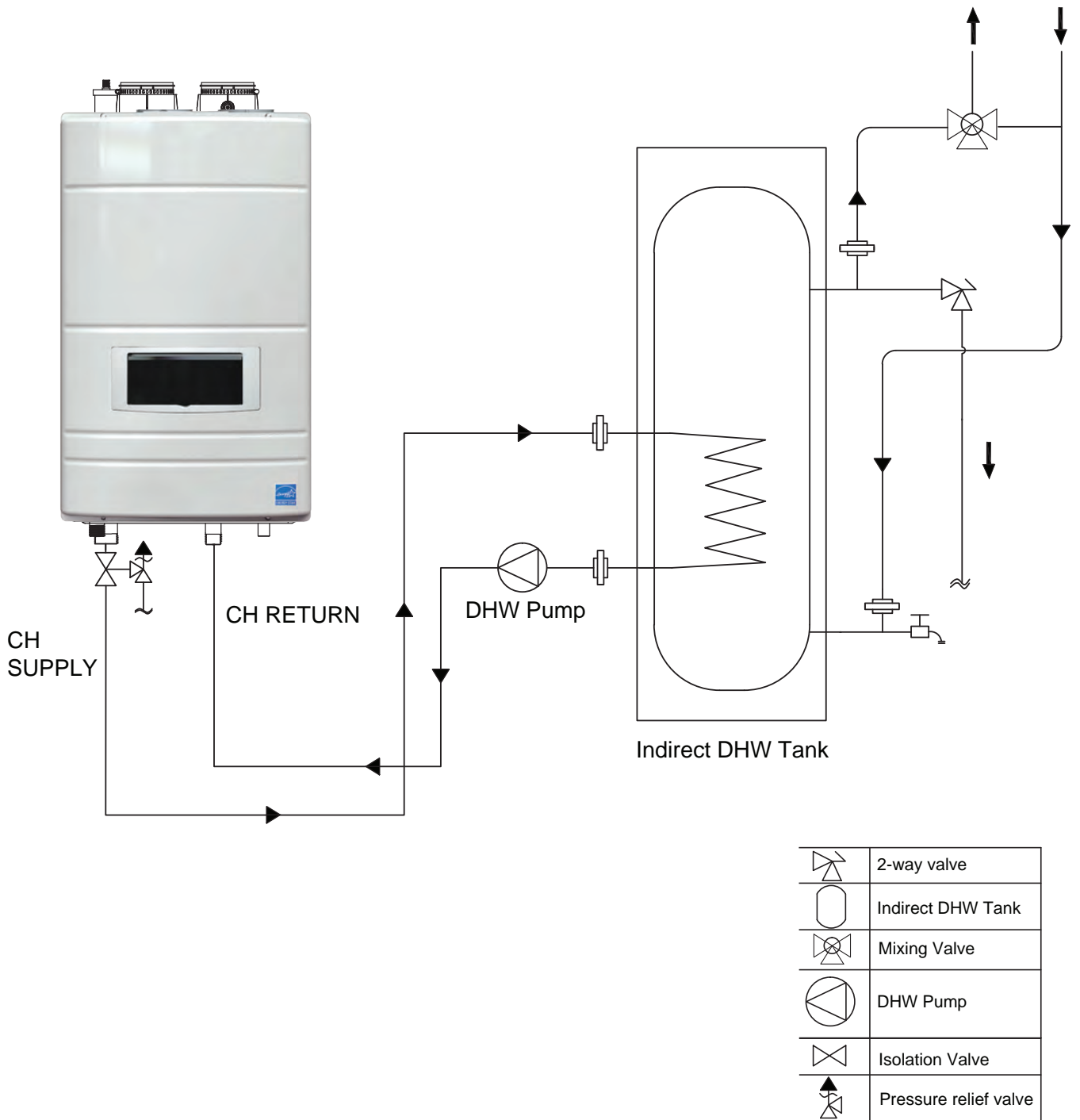


Figure 13. Plumbing Diagram using indirect tank

4.15 Pressure Relief Valve

- External pressure relief valves must be installed. Observe the following. Failure to comply with the guidelines on installing the pressure relief valve and discharge piping can result in personal injury, death or substantial property damage.

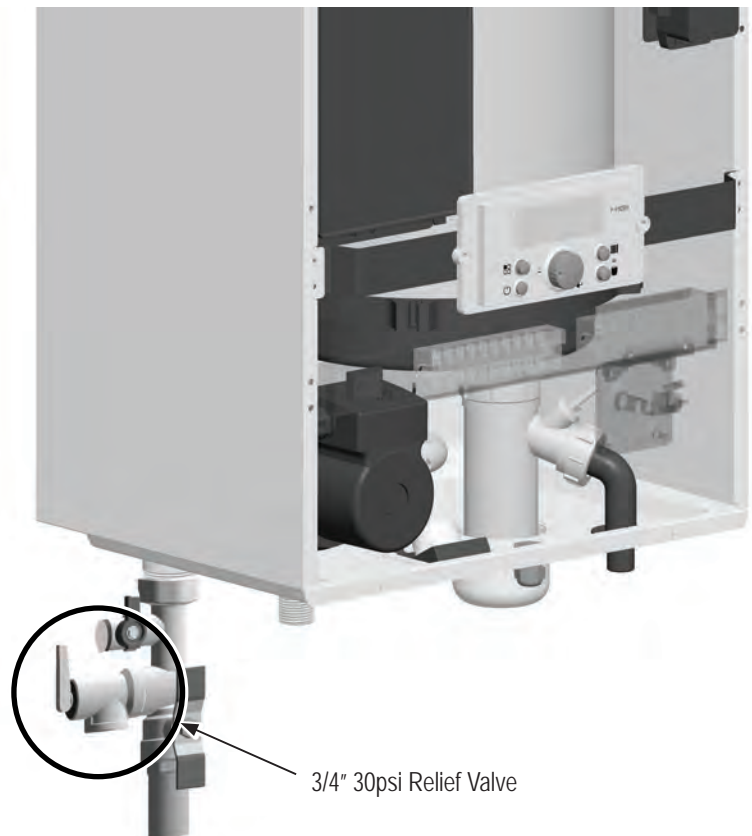
⚠ WARNING

Do not operate this appliance before the pressure relief valve supplied is installed with sufficient relieving capacity in accordance with the ASME Rating Plate on the boiler.

- This boiler is provided with 30 psi safety relief valve that complies with the ANSI/ASME Boiler and Pressure Vessel Code, Section IV ("Heating Boilers).(Model : CASE ACME F-82)
- This safety relief valve (30 psi) is shipped loose for field installation.
- An approved ASME HV Pressure Relief Valve must be installed on the DHW supply line as close to the unit as possible. Valve size 3/4", maximum 150 psi. Not included with boiler.
- For safety, the relief valve(s) must be installed into it's designed location and not be removed or plugged. Failure to comply with the guidelines on installing the pressure relief valves and discharge piping can result in personal injury, death or substantial property damage.
- Direct the discharge piping of the pressure relief valve so that hot water will not splash on anyone or any nearby equipment. Attach the discharge line to the pressure relief valve and run the end of the line within 6-12" (150-300mm) of the floor.
- Pressure Relief Valve must be installed on the CH supply line & DHW outlet line as close to the unit as possible. (CH supply line: maximum 30psi, DHW outlet line : maximum 150psi). No other valves should be placed between the pressure relief valve and the appliance.
- This appliance has a high-temperature shut off switch built in as a standard safety feature .Therefore a "pressure only" relief valve is required.

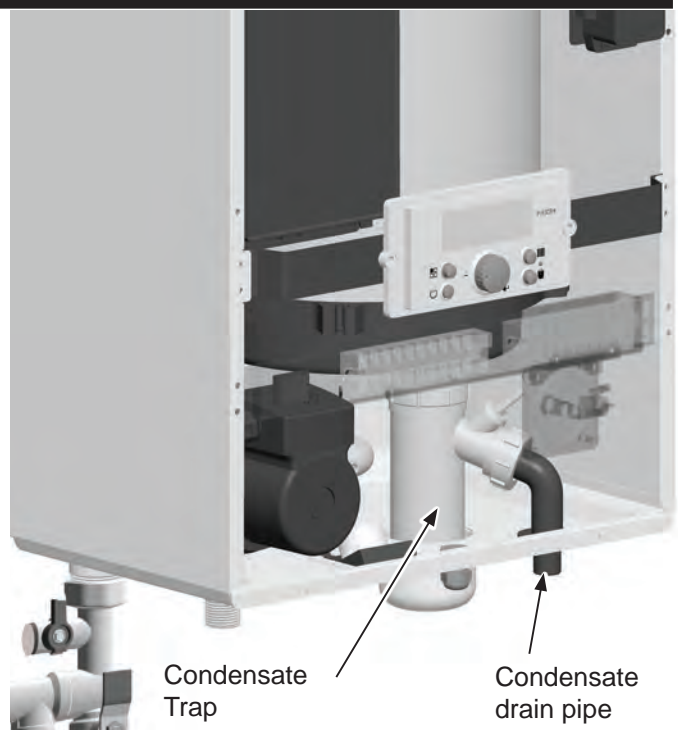
⚠ WARNING

- DO NOT install a CH pipe line relief valve with a pressure higher than 30psi and DHW pipe line relief valve with a pressure higher than 150psi. This is the maximum allowable relief valve setting for the boiler.
- Test the operation of the valve after filling and pressurizing system by lifting the lever. Make sure the valve discharges freely. If the valve fails to operate correctly, replace it with a new relief valve. Ensure that the discharge capacity of the pressure relief valve is equal to or greater than the maximum pressure rating of the boiler.
- Ensure that the maximum BTU/H rating on the pressure relief valve is equal to or greater than the maximum input BTU/H rating of the boiler.



4.16 Disposal of Condensate

- High efficiency gas condensing Boilers create condensation when operating. Condensation has acidic (pH) of approximately 4-5.
- Condensate must be drained in accordance with all local regulations. Follow your local code with regards to the disposal of condensation.
One of 4 disposal methods must be followed
 1. to floor drain
 2. to neutralizer (optional kit)
 3. to laundry tub
 4. to condensate pump (field supplied)
- If a neutralizer is installed, periodic replacement of the lime stone (or neutralizing agent) will be required. The rate of depletion of the lime stone varies upon usage of the boiler. During the first year of operation, please check the neutralizer every few months for depletion.
- Apply only corrosion-resistant materials for the condensate drain lines such as 1/2" PVC, CPVC, Polypropylene pipe or included plastic hose.



⚠ NOTICE

For Category II and IV boilers, be installed so as to prevent accumulation of condensate; and
 For Category II and IV boilers, where necessary, have means provided for drainage of condensate.

⚠ AVIS

les chaudières de catégories II et IV doivent être installées de façon à empêcher l'accumulation de condensat; et
 si nécessaire, les chaudières de catégories II et IV doivent être pourvues de dispositifs d'évacuation du condensat.

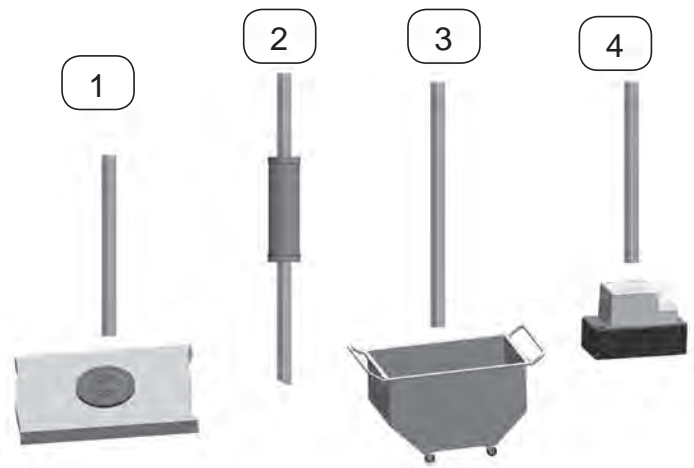


Figure 14. Various condensate disposal methods

⚠ CAUTION

Condensate is mildly acidic (pH=5), and may harm some floor drains and/or pipes, particularly those that are metal. Ensure that the drain, drainpipe, and anything that will come in contact with the condensate can withstand the acidity, or neutralize the condensate before disposal. **Damage caused by failure to install a neutralizer kit or to adequately treat condensate will not be the manufacturer's responsibility.**
**Contact Manufacturer to order
 Neutralizer Kit# A2123601**

4.17 Electrical Wiring Connections

⚠ WARNING

- Install wiring and electrically ground boiler in accordance with authority having jurisdiction or, in the absence of such requirements, follow the National Electrical Code, NFPA 70, and/or CSA C22.1 Electrical Code-Part 1 in Canada.
- ELECTRICAL SHOCK HAZARD — For your safety, turn off electrical power supply at service entrance panel before making any electrical connections to avoid possible electric shock hazard. Failure to do so can cause severe personal injury or death.
- This appliance must be electrically grounded. Ensure the electrical receptacle that the boiler will be plugged into, is properly grounded; if wiring directly.
- Do not attach the ground wire to either the gas or the water piping as plastic pipe or dielectric unions may isolate the Boiler electrically.
- The wiring diagrams contained in this manual are for reference purposes only.
- Refer to these diagrams and diagrams from external controls used with this appliance. Read, understand, and follow all wiring instructions.
- Do not disconnect the power supply when the unit is in normal operation. Damage caused by freezing is not covered under the warranty.
- Manual(Rocker) switch maximum allowable current for each circulator is 16 amps at 125VAC.
(Housing : Nylon #66 UL 94V-2 , Rocker : Nylon #66 UL 94V-2, Terminal : Copper Alloy)
- Terminal block (External power connector) : DFT-20A-10P (20 amps at 300VAC)

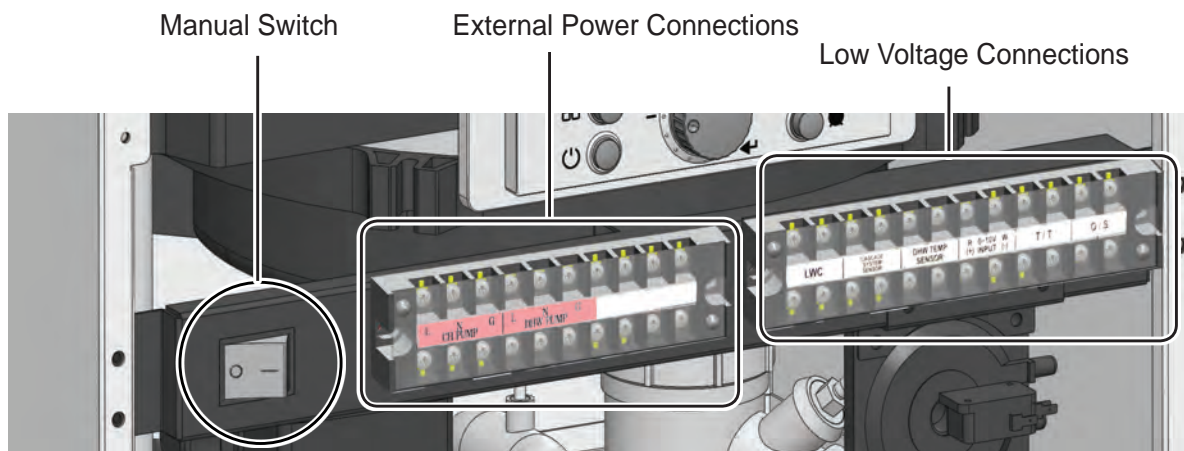


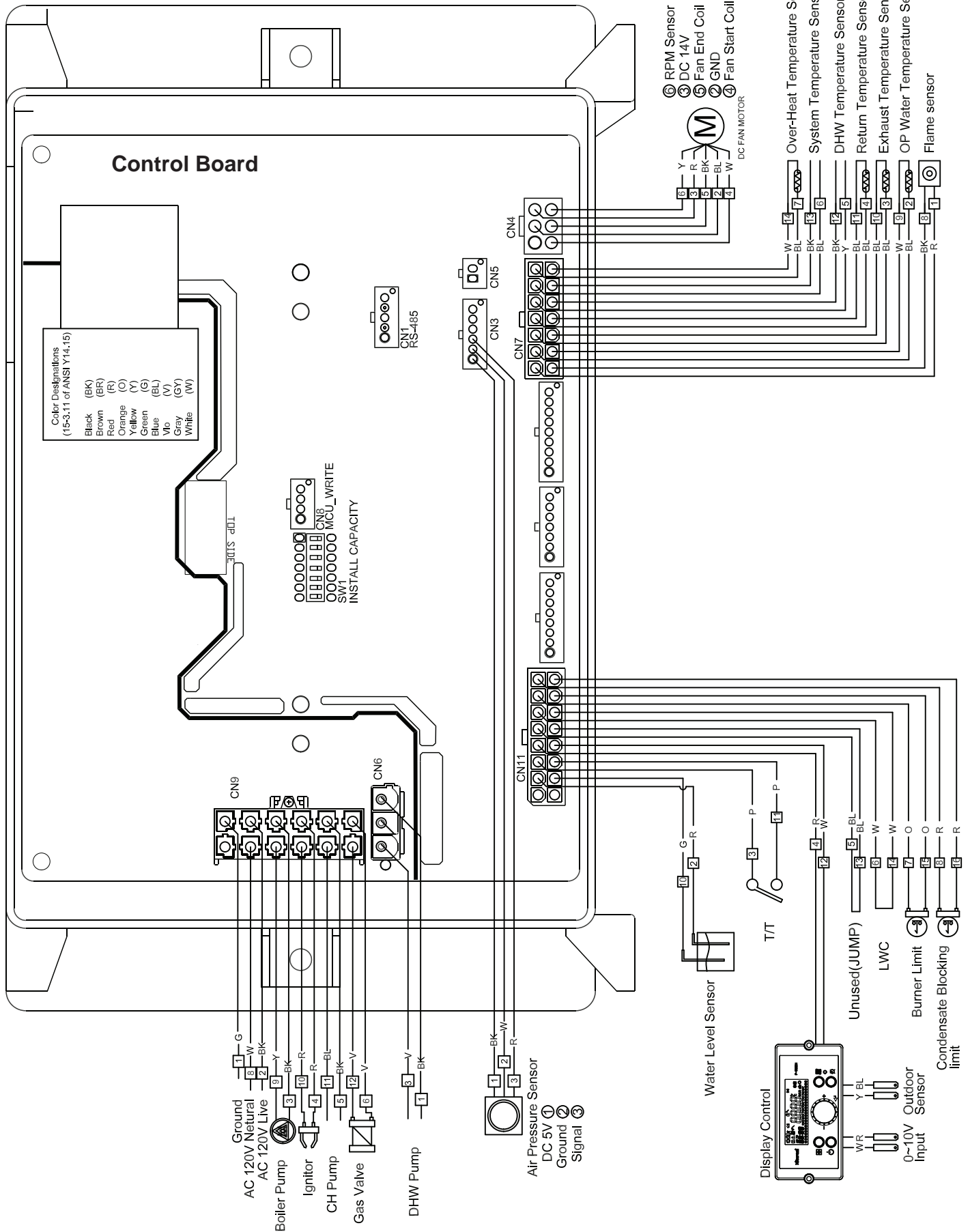
Figure 15. Electrical Connections

(O/S : Outdoor sensor connector)

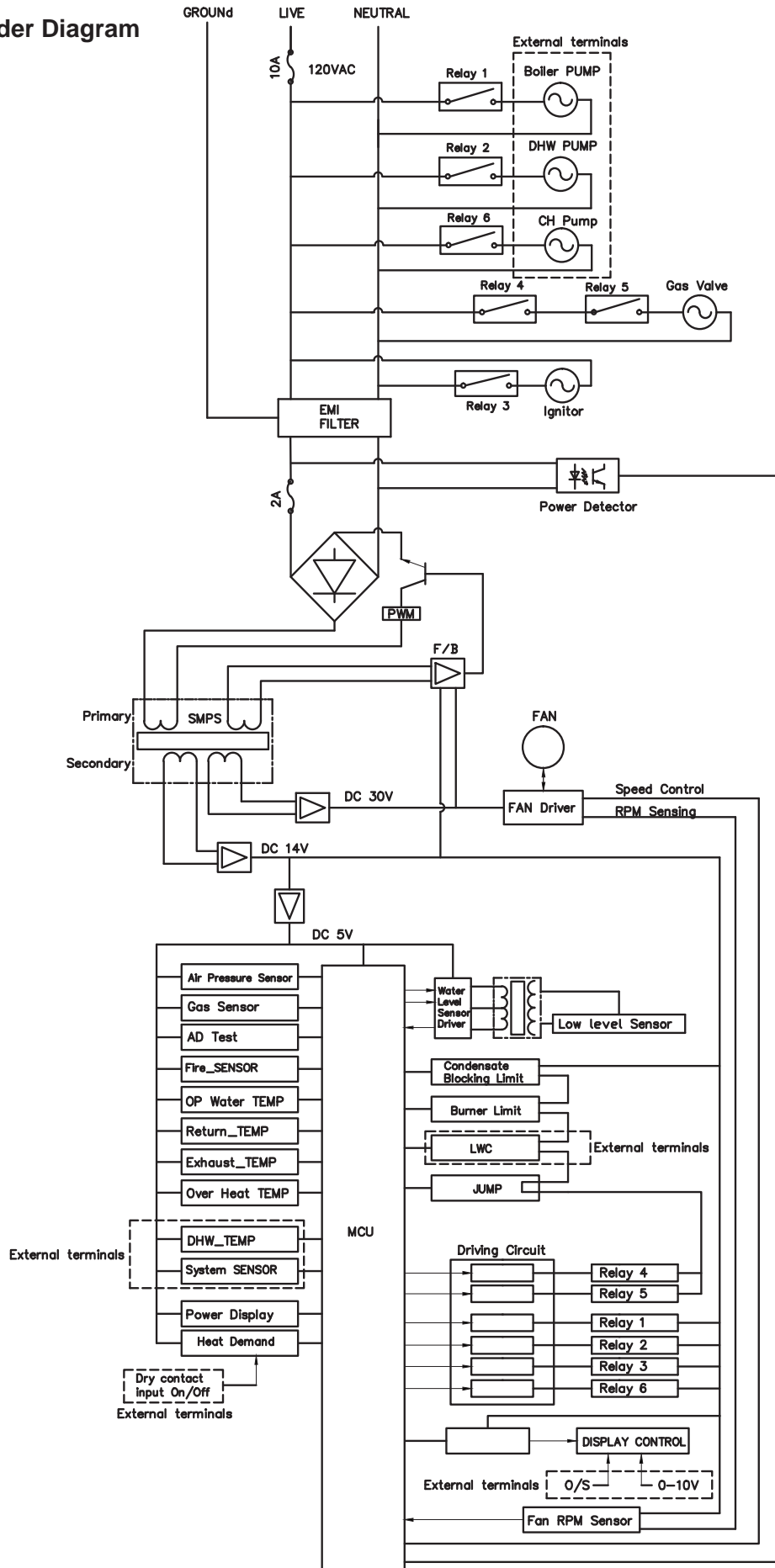


DHW and CH pump terminals for external pump are live 120V limited to 2.0 A. They operate respective to an external call (e.g T-T) for heat.



4.19 Control Board, Electrical Diagram



4.20 Ladder Diagram



4.21 Electrical Connections

Connector			Description	HT SELV
#, Location, Type	PIN	Label		
CN9 65001WS-12	1		CASE GROUND	HT (120V~)
	2	L	Power Supply Line	HT (120V~)
	3	CP1	Central Heating Pump	HT (120V~)
	4	IT	Ignitor	HT (120V~)
	5	HEAT/CP2	CH Pump	HT (120V~)
	6	GV	Gas Valve	HT (120V~)
	7	-	-	-
	8	N	Power Supply Neutral	HT (120V~)
	9-12		AC Power COM Line	HT (120V~)
CN6 LW6A4-03	1	CP3	DHW Pump connection	HT (120V~)
	3			HT (120V~)
CN1 SMW250-05D	1	RS-485	RS485 +	SELV (5V)
	2		RS485 -	SELV (5V)
	3		-	-
	4		RS485 +	SELV (5V)
	5		RS485 -	SELV (5V)
CN4 LWD1140-06D	1	FAN	Unuse	-
	2		GND	SELV (30V)
	3		VDD	SELV (14V)
	4		Fan power(start coil)	SELV (30V)
	5		Fan power(end coil)	SELV (30V)
	6		Fan speed feedback signal	SELV (14V)
CN8 SMW250-04D	1	MCU ISP	GND	SELV (5V)
	2		ISP /Reset port	SELV (5V)
	3		ISP TOOL0 Data port	SELV (5V)
	4		VCC	SELV (5V)
CN11 LWD 1140-16	1	HWL	AC 24V Input Heat Demand	SELV (12V~)
	9			
	2	LWL	Low Water Level Leakage Sensor	SELV (12V~)
	10			
	3	HD	Central Heating Demand	SELV (5V)
	4	TH	Connect to the Display Control(Thermostat)	SELV (14V)
	12			
	5	APS	Unuse	-
	13			
	6	EL	Unuse	-
	14			
	7	BL	Burner Limit	SELV (14V)
	15			
8	HL	Condensate Block	SELV (14V)	
16				

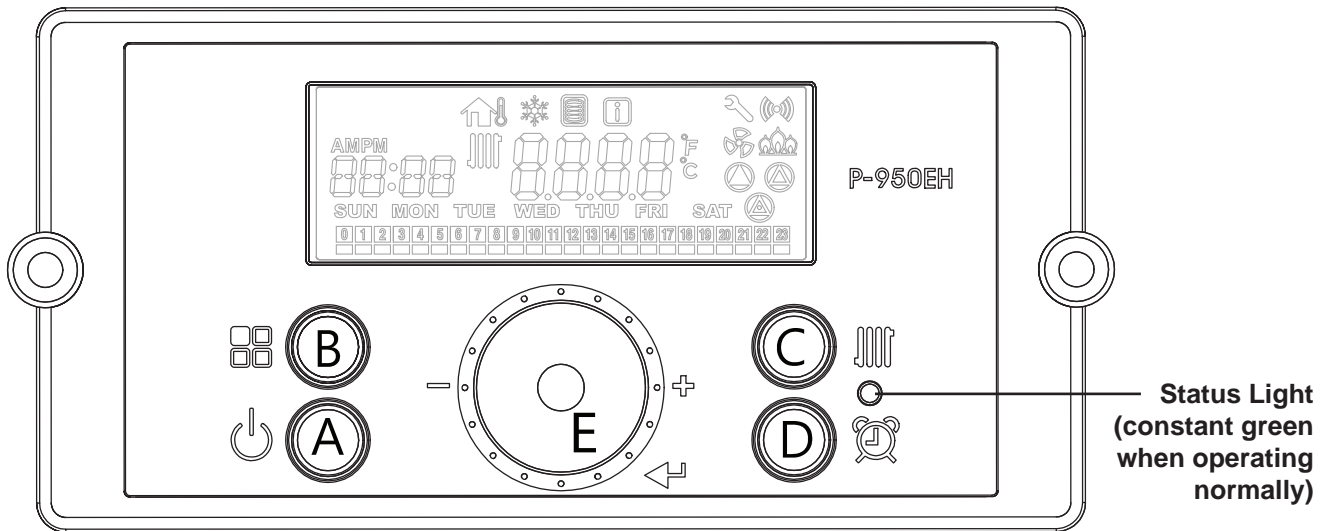
4.21 Electrical Connections

Connector			Description	HT SELV
#, Location, Type	PIN	Label		
CN7 LWD1140-14	1	F.S	Flame Detect Sensor	SELV (5V)
	8			
	2	OP.S	Operating water temperature sensor	SELV (5V)
	9			
	3	DH.S	Exhaust temperature sensor	SELV (5V)
	10			
	4	I.S	CH Return temperature sensor	SELV (5V)
	11			
	5	BG.S	DHW temperature sensor or Mechanical aquastat connection	SELV (5V)
	12			
	6	ST.S	System temperature sensor	SELV (5V)
	13			
	7	SP.S	CH over-heat temperature sensor	SELV (5V)
	14			
CN3 SMW250-06D	1	APS	VCC	SELV (5V)
	2		GND	SELV (5V)
	3		Voltage input	SELV (5V)
	4-6	FLUX1	Unuse	-

SECTION 5. Control Display and Operation






5.1 Control Dial and Buttons

The Control Display



Status Light
(constant green
when operating
normally)

The Control Display has a Control Dial (E), 4 buttons (A, B, C, D), and a Liquid Crystal Display (with 72 back-lit segments). This section of this manual gives instruction on how to navigate into the many functions of the FT and to change temperature set points, set system variables and controller parameters.

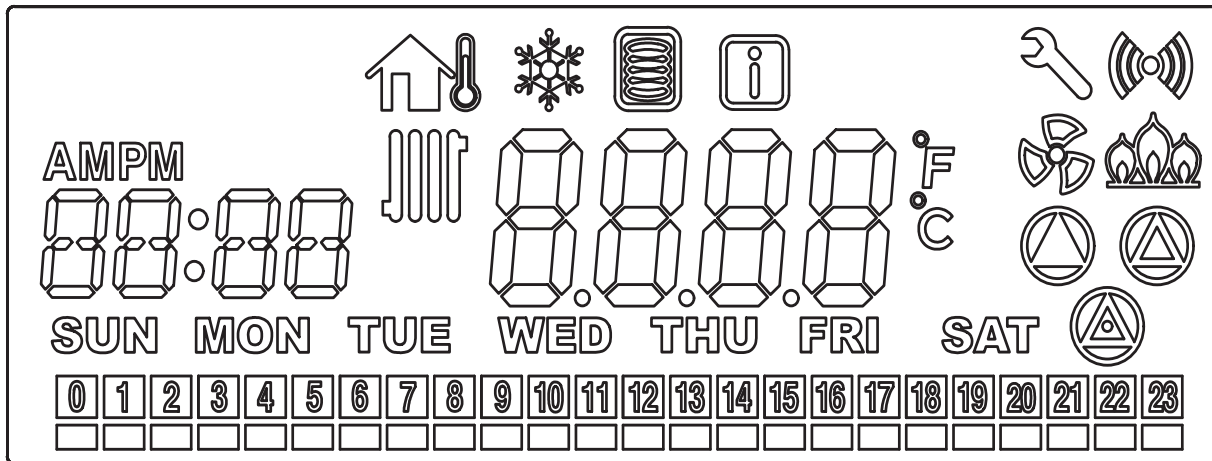
Buttons			Functionality	
			PRESS (Tap)	PRESS and HOLD (5 seconds)
A		Display Power	Turns Control Display ON/OFF	
B		Modes	Tap to return to menu	(If Display Power was On) Status Display Mode (If Display Power was Off) Installer Mode
C		Heating Water	CH set-point change mode (Maximum 82°C(180°F))	
D		Time / Date Set	No Change	To SET: Year/Month/Week/Day/Time/Min
E		Scroll / Select	Menu select or value up(+)/down(-) or setting dial.	

- Temperature Specifications
 - Operating ambient Temperature Range : -10 to 60°C.
 - Operating Relative Humidity up to: 90% at 40°C.
 - Shipping & Storage Temperature Range of : -20 to 80°C.

WARNING

Do not use this appliance if any part has been under water. Immediately call a qualified service technician to inspect the appliance and to replace any part of the control system and any gas control that may have been under water.

5.2 LCD Overview




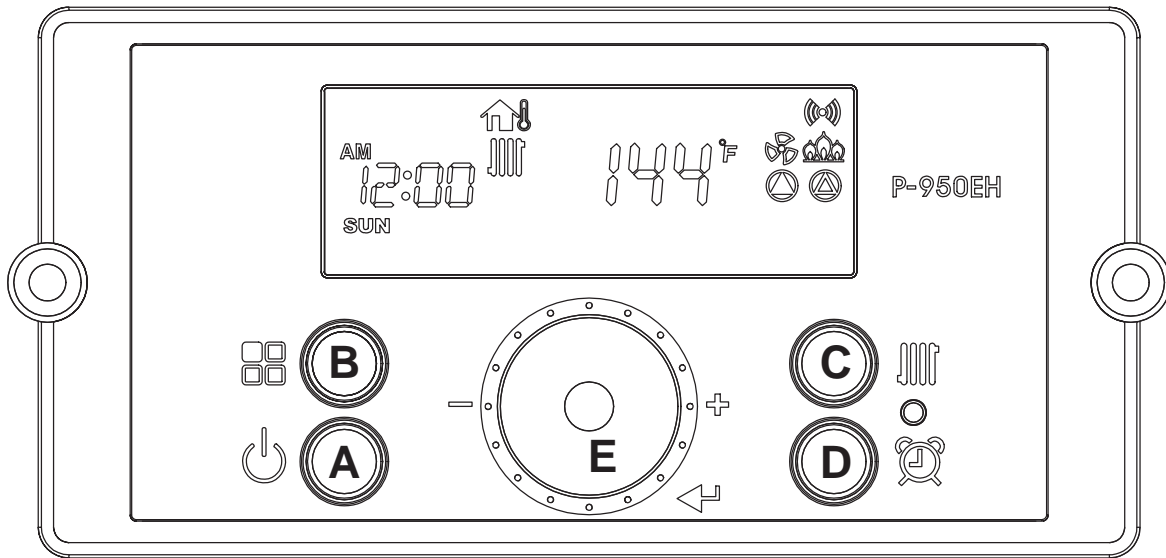
Symbol	Name	Description
	Service Reminder mode	Service Reminder mode indication
	Outside Temperature Mode	Outside Temp setting indication
	Anti-freeze mode	Anti-freeze mode indication
	Storage mode	Storage mode indication
	Information mode	Information mode indication
	Communication state	Communication state indication
	Time setting mode	Time /Dispaly/Install mode indication
	Fan operating mode	Fan operating mode indication
	Flame signal	Flame Signal indication
	CH pump mode	CH pump mode indication
	Storage pump mode	Storage pump mode indication
	Internal recirculation mode	Internal recirculation mode indication
	Celsius mode	Indicated as Celsius temperature
	Fahrenheit mode	Indicated as Fahrenheit temperature
	Heat demand mode	Heat demand mode indication
	DAY mode	Current day mode indication
	Cascade System connecting mode	Cascade System connecting mode indication
	Cascade System operating mode	Cascade System operating mode indication








The LCD will illuminate when a user action is detected (a button is pressed) and will turn back off after 20 seconds.

5.3 Operating Mode

■ Operating Mode

After the Power is turned on, and/or the Control Display is turned on , the Control Display will go through a 'Start Up' checklist and briefly show a sequence of diagnostic codes before entering into the 'Operating Mode'. It will then display the following information.



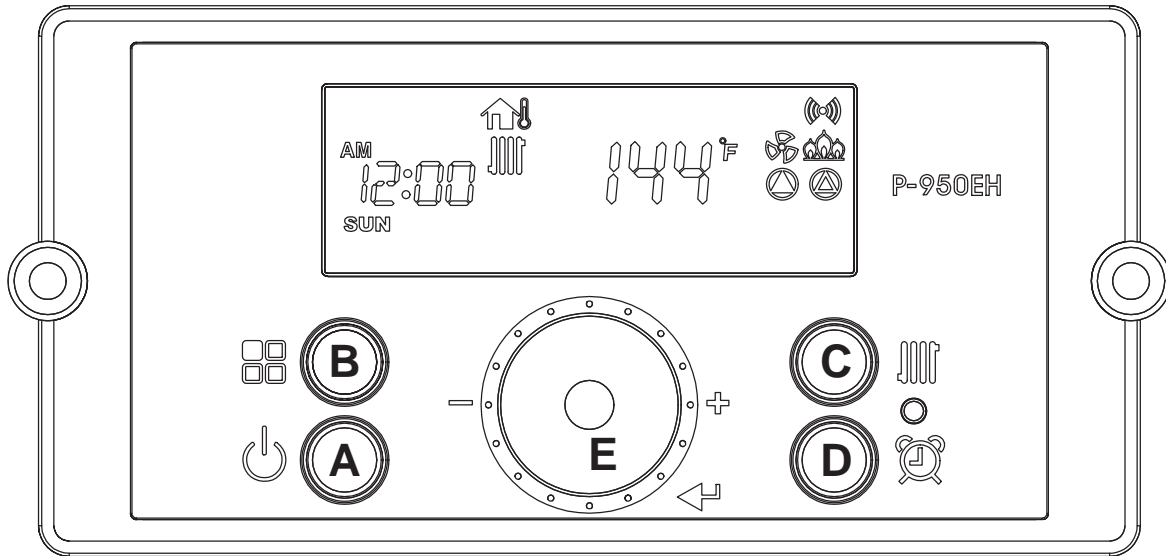
Indicate	Indicator
Current Operating Temperature Set-Point	144°F
If the Fan is operating	
If a flame is detected	
Celsius or Fahrenheit	°C or °F
Date and Time indicator	AM PM 00:00
If Outside Temperature Sensor is operating	
If there is a Demand for Central Heat (CH)	
If CH pump state is operating	
If Internal recirculation pump is operating	
If Communication state is activated	

The Control Display can operate through user and service modes that have specific LCD output and dedicated controls:

- Set-point change mode • Lock mode • Error mode • Status display mode
- Outside Temperature mode • Installer mode


* Control Display will not allow changing of button in case of lock mode activated.

5.4 Setting the Clock



The P-950EH Control Display does NOT have a daily timer or programmable thermostat.

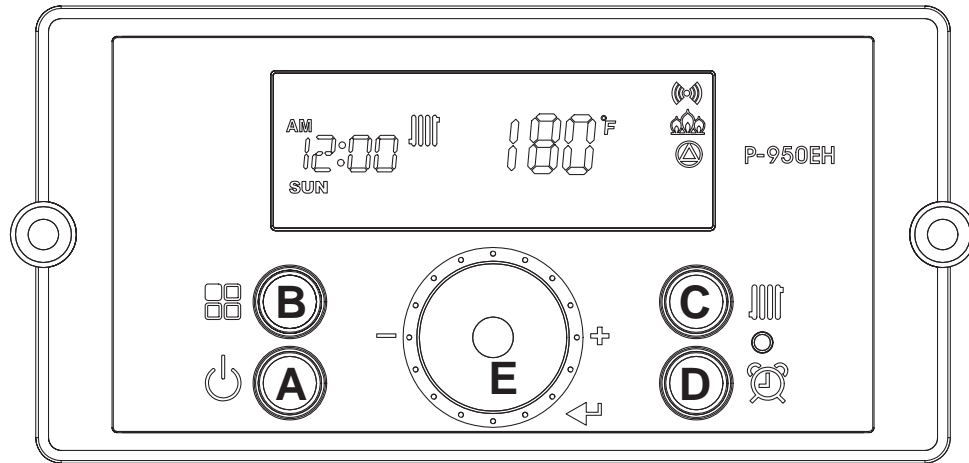
Setting the Clock


- a. Press and hold the  'Clock button' for about 5 seconds. Set the 'Year' by turning the dial E. And then, press the dial E to Save.
- b. Set the 'MON' (Month) by turning the dial E to the desired month number. Then press the dial E to Save.
- c. Set the 'DATE' (1-31, Day of the Month) by turning the dial E. Then press the dial E to Save.
- d. Set the 'HOUR' (1-24, Hour of the Day) by turning the dial E. Then press the dial E to Save.
- e. Set the 'MIN' (1-60, Minute of the Hour) by turning the dial E. Then press the dial E to Save.
- f. Set the 'Day' (Sun - Sat) by turning the dial E. Then press the dial E to Save.

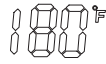




To Exit at any time, press and hold the  'Clock button' for about 5 seconds.

5.5 CH Set Point Change Mode

■ CH Set point Change Mode



To change CH Setpoint, press the C  button. The CH Icon and current CH Setpoint will flash.
 Turn the E dial clockwise to increase, and counterclockwise to decrease CH setpoint, until desired temperature is reached.
 Press E dial to save changes and to Exit.


Indicate	Indicator
Current CH Temperature Set-Point	
Celsius or Fahrenheit	°C or °F
If Communication state is activated	
If flame is detected	
Date and Time indicator	AM PM 00:00
If CH pump is operating	
If there currently a Demand for Central Heat (CH)	

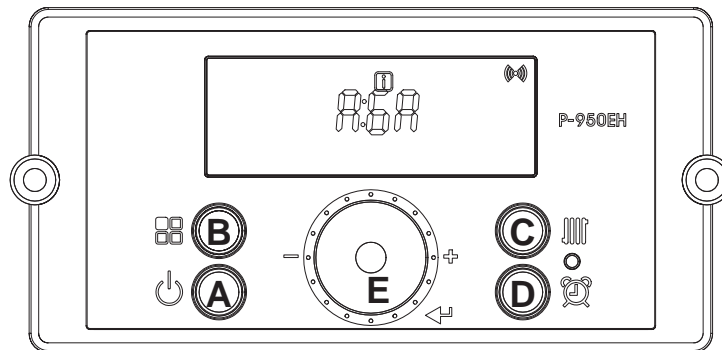
Default CH set-point is 180°F (82°C)
 CH set-point range is 86°F ~180°F (30.0°C ~ 82.0°C)

5.6 Status Display Mode

- Status display mode

To change any Status Parameter,

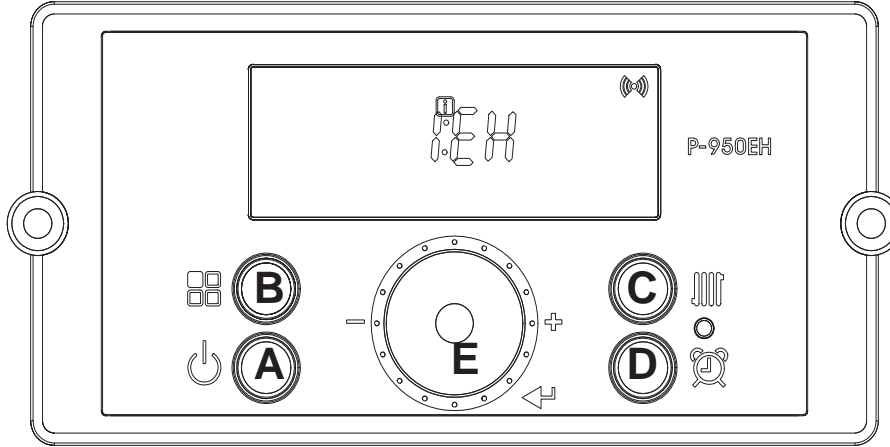
Press and Hold Button B  to get into the Status Display Mode. Rotate Dial E until you find the Parameter that you wish to change. Tap Dial E to enter that Parameter. Adjust to the setting that you require and then press (tap) Dial E to save and to Exit.




Digital Display	Status Display Parameter	Description
O: ot	Outdoor temperature	Current outdoor sensor temperature
A: In	0-10 V display	Current voltage of (0-10V input)
b: tt	CH target temperature in cascade system	Current CH target temperature or Current System target temperature in a cascade system
C: It	CH return water temperature	Current CH return water temperature
d: Fr	FAN speed (rpm)	Current FAN speed (RPM)
E: oP	CH supply temperature (Operating temperature)	Current heating temperature
F: Eh	Exhaust gas temperature	Current exhaust gas temperature
H: dH	Indirect DHW tank temperature * If temperature sensor is not connected then it will display with 0°F (0°C).	Current DHW tank temperature
I: oH	Overheat water temperature	Current Overheat water temperature
L: rt	1: PH	Time for supply power Unit : 1000hour
	2: rh	Time for burner operation Unit : 1hour
	3: rH	Time for burner operation Unit : 1,000hour
	4: It	Cycle for ignition Cycle : 10 times the displayed unit
	5: IH	Cycle for ignition Cycle : 10,000 times the displayed unit
M: CC	SELF	Percentage of self units running. Percentage of self units running.
	ALL	Capacity for all operating cascade units Percentage of all cascade units running. This screen shows the overall cascade power output. The range of this value of boilers communicating with the Master x 100. For example, if 8 boilers are connected and communicating, the maximum cascade power is 800%. Range: 0-100%
	F1 – F19	Capacity for individual boilers Percentage of each cascade units running. Ex. F1, F2,
N: St	System Temperature (cascade mode) * If system temperature sensor is not connected then it will display with 0°F (0°C).	Current System Temperature (cascade mode)

5.7 Installer Mode

- Installer Mode. These changes are to be made only by a qualified technician.



To change any of the Installer Parameters, Start by turning **OFF** the Power  to the Display Control.

Then, with the power OFF, Press and HOLD (more than 5 seconds) the Button B  to get into the Installer Mode.

Rotate Dial E until you find the Installer Parameter (full list on facing page) that you wish to change. Tap Dial E to enter that Parameter.

Adjust to the setting that you require and then press (tap) Dial E to save and to Exit.

Finish by pressing button B .

Index Numbers	Parameter	Description
1: EH	Error history up to 10	Check last 10 error codes (E0 - E9)
2: cE	Delete Error history	Select "ON" to delete error code history Range: ON or OFF, Default OFF
3: In	System initialize	Select "ON" to reset to factory setting, Default OFF
4: OH	Maximum Outdoor Temperature	When used with an outdoor sensor, sets the maximum outdoor design temperature for the system design. Warm weather shut down will disable the appliance if the programmed outdoor temperature is exceeded. Maximum outdoor temperature must be set at least 9°F above the minimum outdoor temperature. Range: (Minimum Outdoor Temperature + 9°F) to 110°F , Default 68°F
5: OL	Minimum Outdoor Temperature	Sets the minimum outdoor design temperature for the system. Minimum outdoor temperature must be set at least 9°F below the maximum outdoor temperature. Range: -4°F to (Maximum Outdoor Temperature - 9°F), Default 5°F
6: cH	Maximum Supply temperature	Sets the maximum design supply temperature based on the minimum outdoor design temperature. Maximum supply temperature must be set at least 9°F above the minimum supply temperature. Range: (Minimum Supply Temperature + 9°F) - 180°F, Default 180°F

5.7 Installer Mode (continued)

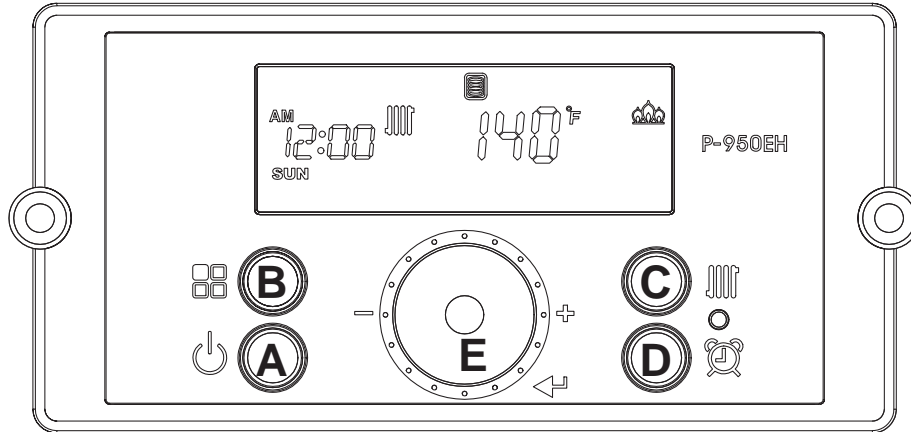
Index Numbers	Parameter	Description
7: cL	Minimum Supply temperature	Sets the design supply water temperature based on the maximum outdoor design temperature. Minimum supply temperature must be set at least 9°F below the maximum supply temperature. Range: 40°F to (Maximum Supply Temperature - 9°F) , Default 86 °F
8: OF	Warm Weather Shutdown	This warm weather temperature setting will shut down CH Mode Range : 50 °F- 110°F, Default 68 °F
9: bt	Boost Function	This function boosts CH temperature to the maximum if set point is not reached within the set period of time. Range: 0 - 120 min, Default 0
10: bd	Boost Degree	The boiler will add this temperature to the boiler target set point based on outdoor reset curve. Range: 5-15°F Default: 10°F
11: bl	Boost Interval	The boiler will index the temperature based on time interval set on 11 bl. Range: 0-120 MIN Default: 20 MIN
12: FH	Maximum Fan speed	Adjusts Maximum Fan Speed Range: -30 to +30,Default 00
13: FL	Minimum Fan speed	Adjusts Minimum Fan Speed Range: -30 to +30,Default 00
14: dr	Initialized burner operation time	Select ON to Initialize burner operation time Range: NO or YES,Default NO
15: dl	Initialized ignition cycle	Select ON to Initialize ignition cycles Range: NO or YES,Default NO
16: Ft	CH Anti-Cycling time	This function delays burner operation during CH mode Range: 0 - 20 min, Default 1
17: bo	Set differential temperature to turn burner "ON"	When set, the appliance will operate to heat CH water when water temperature falls below a differential setting. Example: If set point is 180°F and differential is 27°F, the appliance will turn on when CH water temperature falls below 153°F. Range: 5°F - 30°F, Default 30°F
18: cb	Heating capacity	Set Heating combustion rate Range: 50 - 100%, Default 100
19: db	DHW capacity	Set DHW combustion rate Range: 50 - 100% , Default 100
20:PE	Heating Pump Post-Purge Time, T/T Satisfied	Allows the user to set the appliance pump post purge time once the thermostat is satisfied. Range: 1-5 minutes , Default 1
21: dH	Indirect Storage Tank Temperature Set Point	Sets Maximum Indirect storage tank Temperature Range:95 - 180°F , Default 120 °F
22: dd	Indirect Storage Tank Differential Set Point	DHW Differential Set Point Range: 5°F-30°F, Default 7 °F
23: Pr	DHW Pump Post Run Time	DHW Pump Post Run Time Range: 0-10 Min , Default 1 Min
24: dP	DHW Priority Timer	DHW Priority Timer Range: 0 – 60 Min , Default 30 Min
25: St	Boiler Supply Indirect Storage Tank Temperature	Boiler Supply Indirect Tank Temperature Range: 120 °F– 180 °F , Default 180 °F
26: FP	System Freeze Protection Mode	System Freeze Protection Mode. This mode should be turned OFF for snow melt application. NOTE: This mode should be ON during normal operation. Range: ON/OFF


5.7 Installer Mode (continued)

Index Numbers		Parameter	Description
27: Cn		Cascade Number	Cascade Number Range: 0 (Master), 1(slave 1), ..., 19(slave 19) "29: CP" has to be set with the total number of units in the cascade before "28: Cn" can be set. Default 0
28: CP		Cascade Parameter	Number of units cascaded Range: 1- 20 , Default 1
29: Eh		Common Vent	Common Vent Range: ON / OFF, Default OFF
30:Cr	Auto	Automatic rotation	The first unit to operate when there is a T/T call is the unit that ran the least amount of time during the prior heat calls.
	Cr:Ct	Cascade Rotation time	Cascade Rotation time Range: 0-240 Hours, Default 48 Hours
31: Ct		Cascade System temperature	Cascade System temperature: Range: 9°F – 180°F, Default 180°F
32: Cd		Cascade System Temperature Differential (burner ON)	Cascade System Temperature Differential (burner ON) Range: 5°F-30°F, Default 10°F
33: HA		High Elevation Mode	High Elevation Mode (0-2, 2-5, 5-8, 8-10), Default HA 0
34:AP	AP:cP	Internal CH Pump, CH Pump and DHW Indirect Pump Test Mode	This function sets the time to run both the Internal CH and Internal DHW Storage pumps to purge air from the system. Range: 1 – 30 minutes,Default 5
	P1:oF or P1:on	Internal CH Pump and CH Pump Test Mode	Turn this function on to activate Internal CH and CH pump testing. Only works in installation mode. Turns off when in normal mode. Default OFF
	P2:oF or P2:on	Internal CH Pump and DHW Indirect Pump Test Mode	Turn this function on to activate Internal CH and DHW Indirect pump testing. Only works in installation mode. Turns off when in normal mode. Default OFF
35: SS	SS:Sd	Allows the user to set the year of next service reminder	Allows the user to set the year of next service reminder XX / XX / XXXX (MONTH / DAY / YEAR)
	SS: br	Allows the user to set the service reminder based on BURNER RUN HOURS	Allows the user to set the service reminder based on BURNER RUN HOURS (0: OFF, 1~9000Hours) , Default 0
36: UC	FAH(°F)	Allows the user to change the unit	Allows the user to change the unit Range: °F or °C
	CEL(°C)		
37: CM	OFF	CH Step Modulation	Allows the user to turn ON the step modulation, which regulates burner output in six steps at one minute intervals. Step modulation will start at the last modulation rate of the boiler and work up one minute at a time.
38: dM	OFF	DHW Step Modulation	Default: OFF (Selection: OFF or ON).
39: SA	AquA	Select Aquastate (contact) Type	This mode is aquastate (contact) type.
	SEnS	Select DHW NTC Sensor Type	This mode is NTC sensor type.

5.8 Storage Mode

■ Storage Mode / Indirect Water Heater

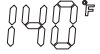





To change Storage Mode Temp, First turn OFF the power to the Control Display. Then Press and Hold Button B  to get into the Installer Mode.

Rotate Dial E until you find **25:St** Tap Dial E to enter Storage Mode. Storage Mode indicates that the boiler is heating the water held in an indirect water heater. When Storage Mode is active, the display will appear as shown.

Turn the E dial clockwise to increase, and counterclockwise to decrease setting.

Press E dial to save changes and to Exit.

Indicate	Indicator
Current CH set-point of temperature	
Celsius or Fahrenheit	°C or °F
If flame detected	
Storage mode indication	
If there is a Demand for Central Heat (CH)	


5.9 Outdoor Reset Adjustment

Outdoor Reset varies the control setpoint based on the outdoor temperature. The reset function works as shown in Figure 'CH Outdoor Reset'. When the outdoor air temperature reaches **4:OH** "high outdoor temperature setpoint", the control point setting is adjusted to **7:cL** "low boiler temperature setpoint". When the outdoor air temperature reaches **5:OL** "low outdoor temperature setpoint" the control setpoint is adjusted to **6:cH** "high boiler temperature".

Default outdoor reset setpoint is 100°F (38°C)

The Outdoor Temperature Mode Icon on the display will flash if an Outdoor Sensor or 0-10 Volt is not connected to the appliance.

See **Figure 16** to set your Outdoor Reset. To check the CH Target Temperature while using Outdoor Temperature Mode,

Press the  button while the appliance is operational and the display panel is powered on.

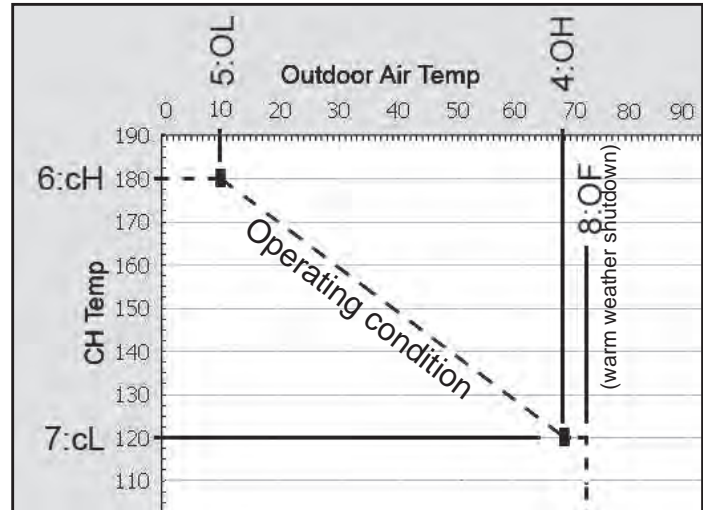


Figure 16. Outdoor Reset

Connect to terminal strip as outlined 4.17 Electrical Connections.

NOTE: 0 - 10VDC terminals may not be used for both outdoor reset and 0 - 10VDC temp setpoint simultaneously.

5.10 External Set Point Temperature Control

A signal from a building management system may be connected to the appliance to enable remote control. This signal should be a 0-10 volt DC signal. When this input is enabled, a building control system can be used to control the set point temperature of the appliance.

The control interprets the 0-10 volt signal as follows; when the signal is between 0 and 1.5 volts, the appliance will be in standby mode, not firing.

When the signal rises above 1.5 volts, the appliance will ignite. As the signal continues to rise towards its maximum of 10 volts, the appliance will increase in set point temperature. Adjust **6:cH** and **7:cL** to set MIN and MAX boiler water temperatures respectively.

Connect a building management system or other auxiliary control signal to the terminals marked for this purpose on the appliance terminal block (shown in Piping Diagrams, this manual). Caution should be used to ensure that the 0-10 VOLT + connection does not become connected to ground.

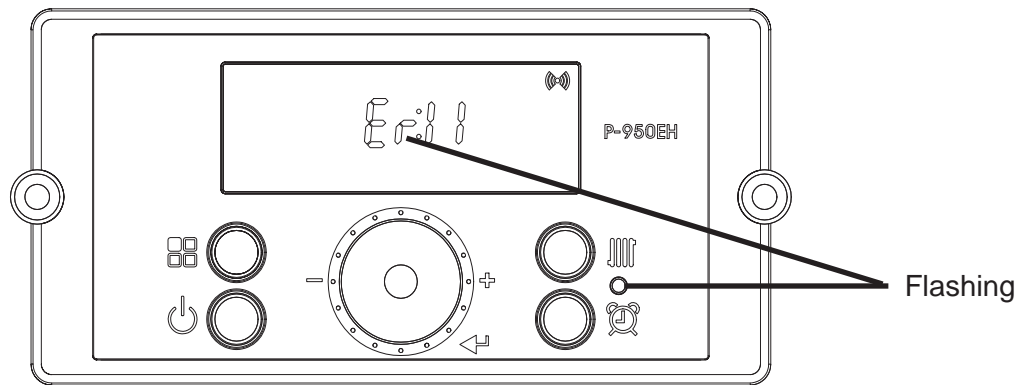
Connect to terminal strip as outlined 4.17 Electrical Connections.

NOTE: 0 - 10VDC terminals may not be used for both outdoor reset and 0 - 10VDC temp setpoint simultaneously.

5.11 Error Mode

■ Error mode

The Control Display will show the following information when an Error is presented.



Indicate	Indicator
Error ' Er : ' sign Segment	Er:11
Error Code	Er:11
If Communication state is activated	(())

NOTE: When communication between the Control Display and the main controller is lost, the (()) will not be displayed.

SECTION 6. Error Codes

6.1 Error Codes

Error Code	Error Code Description	Possible Remedies	Recover methods
10	Flame has Extinguished 8 (Eight) Times	<p>Press the Power button to clear the Error Code.</p> <p>If Error happens again:</p> <ol style="list-style-type: none"> 1. Monitor the gas pressure to the appliance while in operation. Ensure pressure is between 3.5 and 14" WC. 2. Check gas valve wire. Ensure connection is secure. 3. Check flame detection sensor. Ensure connections are secure. Normal operating settings are more than 2.5DC before ignition, less than 2.5DC after ignition. 4. Check vent terminations. Ensure there are no blockages. 5. Assure that the flame is stable when lit. 6. If the problem persists, replace the main control. 	Hard Lock
11	Ignition has Failed 10 (Ten) Times	<p>Press the Power button to clear the Error Code.</p> <p>If Error happens again:</p> <ol style="list-style-type: none"> 1. Monitor the gas pressure to the appliance while in operation. Ensure pressure is between 3.5 and 14" WC. 2. Check gas valve wire. Ensure connection is secure. 3. Check flame detection sensor. Ensure connections are secure. Normal operating settings are more than 2.5DC before ignition, less than 2.5DC after ignition. 4. Check igniter transformer for proper connection. 5. Clean the spark igniter with steel wool to remove oxides. Ensure proper separation (3-4 mm). 6. Replace the spark igniter if damaged. 7. Assure that the flame is stable when lit. 8. If the problem persists, replace the main control. 	Hard Lock
16	Operating Temperature Sensor detects Water Temperature Greater than 203°F (95°C)	<p>Press the Power button to clear the Error Code.</p> <p>If Error happens again:</p> <ol style="list-style-type: none"> 1. Check if dip switch Max Fire setting is ON. Switches 6 and 7 should be OFF for normal operation. 2. Check if CH inlet pipe is blocked. Ensure there is enough water flowing to the appliance. 3. Check Operating Temperature sensor at CH heat exchanger outlet. If resistance is zero, replace the sensor. 4. If the problem persists, replace the main control 	Hard Lock
20	Condensate – Closed is Normal, Open is Fault (Condensate Drain Trap)	<p>Press the Power button to clear the Error Code.</p> <ol style="list-style-type: none"> 1. Check Condensate and main controller connections. Ensure all are secure. 2. Check Condensate sensor resistance. If resistance is zero, replace the switch. 3. Check Condensate hose. Ensure it is connected and in good condition. 4. Check condensate line and termination for blockages. 5. Check Vent Pipe for blockages. 6. If the problem persists, replace the main control. 	Hard Lock
28	Overheat Sensor Open or Short	<p>This Error Code will go away when CH temperature decreases.</p> <p>If Error happens again:</p> <ol style="list-style-type: none"> 1. Check overheat temperature sensor. Ensure connections are secure. 2. Check overheat sensor resistance. If resistance is zero, replace the sensor. 3. If the problem persists, replace the main control. 	Soft Lock
32	DHW Sensor Open or Short	<p>This Error Code will go away when outlet DHW temperature decreases.</p> <p>If Error happens again:</p> <ol style="list-style-type: none"> 1. Check DHW outlet temperature sensor. Ensure connections are secure. 2. Check sensor resistance. If resistance is zero, replace the sensor. 3. If the problem persists, replace the main control. 	Soft Lock
33	CH Temperature Sensor Open or Short	<p>This Error Code will go away when CH temperature decreases.</p> <p>If Error happens again:</p> <ol style="list-style-type: none"> 1. Check CH temperature sensor. Ensure connections are secure. 2. Check CH sensor resistance. If resistance is zero, replace the sensor. 3. If the problem persists, replace the main control. 	Soft Lock

SECTION 6. Error Codes (continued)

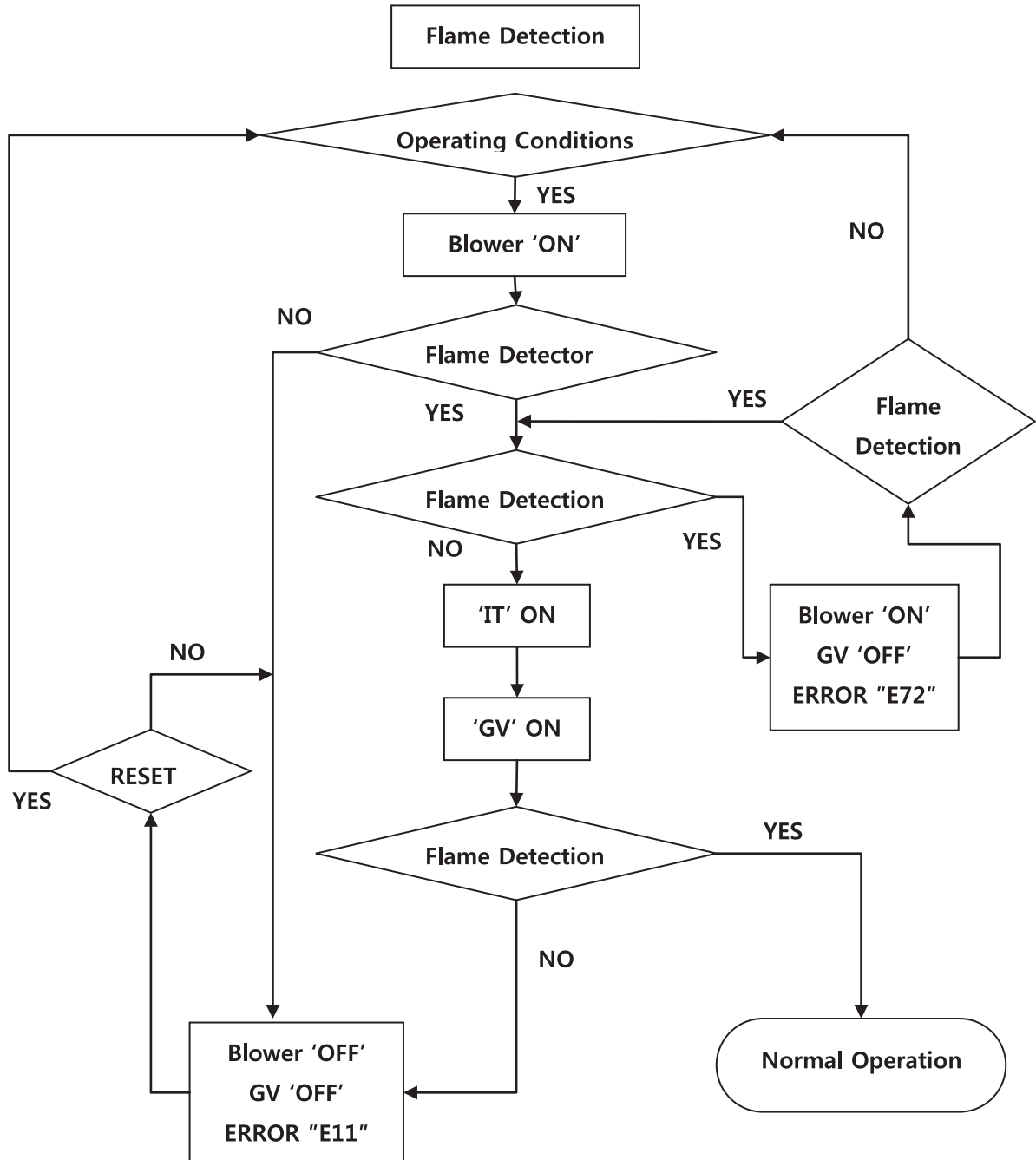
Error Code	Error Code Description	Possible Remedies	Recover methods
35	Venting (Exhaust) Sensor Open or Short	This Error Code will go away when exhaust temperature decreases. If Error happens again: 1. Check Venting (exhaust) temperature sensor. Ensure connections are secure. 2. Check sensor resistance. If resistance is zero, replace the sensor. 3. Check vent pipes for blockage. 4. If the problem persists, replace the main control	Soft Lock
37	Abnormal Supply Frequency	Supply frequency is too high to operate. This Error Code will go away when supply frequency returns to normal operating range. If Error happens again: 1. Ensure appliance is properly wired to a power source meeting the requirements on the rating plate. 2. If problem persists, replace the main control.	Soft Lock
38	Error Appears When Control Stores Data, but Data is not Saved	Press the Power button to clear the Error Code. Replace the main control.	Hard Lock
40	Gas Leakage is Detected for Greater than 5 seconds, or three times within 10 minutes	IMPORTANT: If you smell gas, STOP! Follow the instructions on page 2, this manual, and call a qualified service technician or the fuel gas utility. Press the Power button to clear the Error Code. If Error happens again: 1. Check the appliance cover. Ensure it is secure. 2. Check gas connections for leakage with a soapy solution. Fix any leaks. 3. Check condition of the burner assembly. 4. If the problem persists, replace the main control.	Hard Lock
41	Fan Speed too High with Flame On	Press the Power button to clear the Error Code. If Error happens again: 1. Check the vent connections for blockages. 2. Check the burner assembly. 3. Check fan operation. If fan appears to be operating normally but RPMs are too high, replace the fan. 4. If the problem persists, replace the main control.	Hard Lock
42	Jumped Wire Disconnected	Press the Power button to clear the Error Code. If Error happens again: 1. Ensure the jumped wire is properly connected. 2. If the problem persists, replace the main control.	Soft Lock
43	Burner Overheat Switch Open	Press the Power button to clear the Error Code. If Error happens again: 1. Check burner overheat switch connections. Ensure connections are secure. 2. Check switch resistance. If resistance is zero, replace the switch. 3. If the problem persists, replace the main control.	Hard Lock
44	Air Pressure Sensor (APS) Fault	Press the power button to reset If error happens again: 1. Check the vent pipe for blockages. 2. Check the vent pipe for blockages. 3. If error do not clear, replace the APS 4. If the problem persists, replace the main control.	Hard Lock
45	Air Pressure Sensor (APS) Open	Check the aps connection. 1.If APS is closed and connections are secure, check APS connection. 2. If the problem is not happen, replace the APS 3. If the problem persists, replace the main control.	Soft Lock
61	Fan Speed Feedback Signal Abnormal	This Error Code will go away when the condition is remedied. If Error happens again: 1. Check the connections to the fan. Ensure all are secure. 2. If the fan does not rotate during the ignition sequence, check for AC8V~26.5V power at the fan connection. If AC8V~26.5V power is present at the control, replace the fan. If the blower does not have AC8V~26.5V power, check power at the control. If AC8V~26.5V power is not present at the control, replace the control. 3. If the problem persists, replace the main control.	Soft Lock

SECTION 6. Error Codes (continued)

Error Code	Error Code Description	Possible Remedies	Recover methods
70	Register, Ram, Rom, I/O Port, AD Abnormal, Important EPROM Data or Safe Data Abnormal	This Error Code will go away when the condition is remedied. If Error happens again: 1. Turn power OFF and ON at the main power switch internal to the appliance. 2. If the problem persists, replace the main control.	Soft Lock
72	Flame Signal Detected before Ignition	This Error Code will go away when the condition is remedied. If Error happens again: 1. Check the appliance cover. Ensure it is secure. Flame detection sensor can detect an external light source. 2. Check flame detection sensor. Ensure connections are secure. Normal operating settings are more than 2.5DC before ignition, less than 2.5DC after ignition. 3. If the problem persists, replace the main control.	Soft Lock
76	Poor Communication (Control Display)	This Error Code will go away when the condition is remedied. If Error happens again: 1. Check connections from main control to display panel. 2. If the problem persists, replace the display and/or the main control.	Soft Lock
78	Cascade Error	Please refer to Manufacturer Document 1349 for Cascading the FT.	
80	Low Water Level Sensor (Low Water Level Detected Four (4) Consecutive times)	This Error Code will go away when the condition is remedied. If Error happens again: 1. Ensure all valves are open to the appliance and there are no leaks. 2. Ensure all air has been purged from the system. 3. Check wiring connections to low water level sensor. Ensure all are secure. 4. Check low water level sensor resistance. If resistance is zero, replace the sensor. 5. If the problem persists, replace the main control.	Soft Lock
81	Low Water Level Circuit	This Error Code will go away when the condition is remedied. If Error happens again: 1. Ensure all valves are open to the appliance and there are no leaks. 2. Check wiring connections to low water level sensor. Ensure all are secure. 3. Check low water level sensor resistance. If resistance is zero, replace the sensor. 4. If the problem persists, replace the main control.	Soft Lock
85	Freeze Protection (Appliance has detected water temperature below 34°F(1°C))	This Error Code will go away when the freezing condition is remedied. If Error happens again: 1. Ensure appliance is located in a mechanical room protected from freezing conditions. 2. Ensure all valves are open to the appliance, there are no leaks. 3. Check wiring connections to low water level sensor. Ensure all are secure. 4. Check low water level sensor resistance. If resistance is zero, replace the sensor. 4. If the problem persists, replace the main control.	Soft Lock
94	Exhaust Sensor detects Vent Temperature is Greater than 190oF (88oC)	This Error Code will go away when the condition is remedied. If Error happens again: 1. Check if dip switch Max Fire setting is ON. Switches 6 and 7 should be OFF for normal operation. 2. Check exhaust temperature sensor. Ensure connections are secure. 3. Check sensor resistance. If resistance is zero, replace the sensor. 4. Check exhaust vent for blockage. 5. If the problem persists, replace the control. 6. If the problem persists, replace the heat exchanger.	Soft Lock

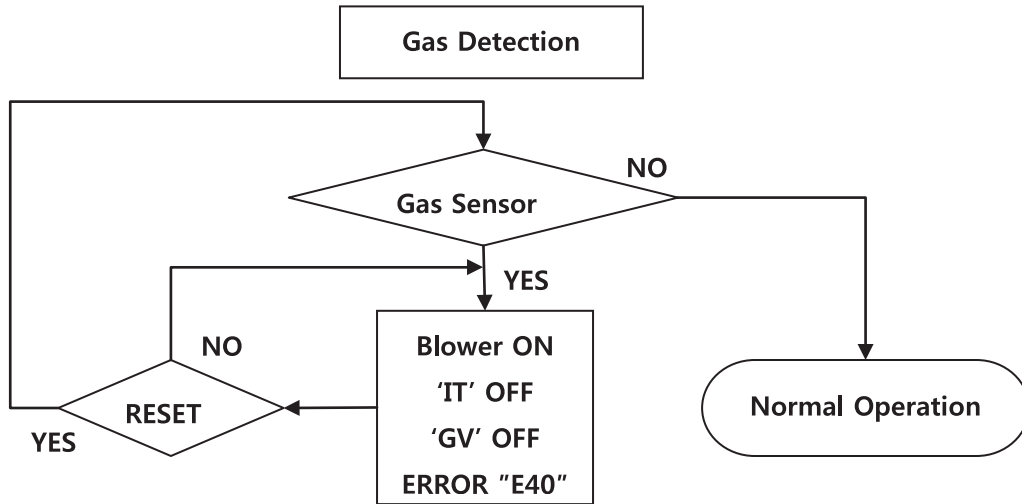
6.2 Fault Tree Analysis

1. Flame detection

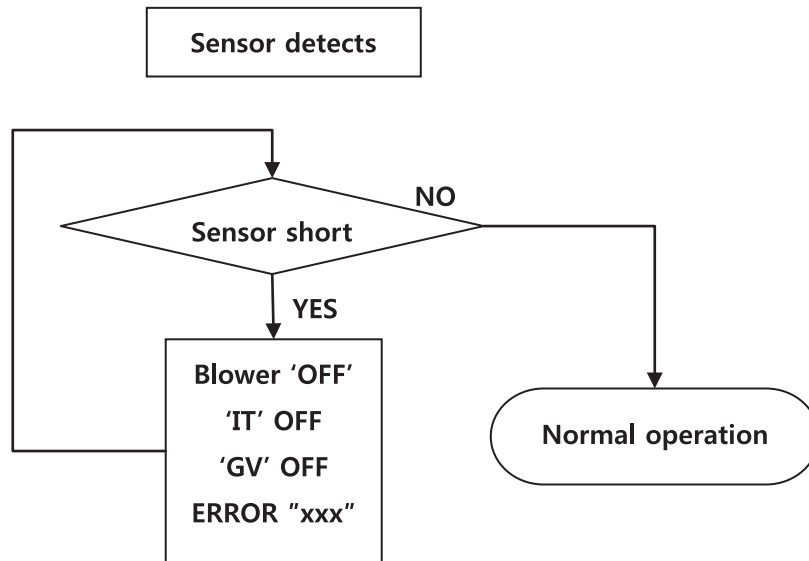


6.2 Fault Tree Analysis

2. Gas Detection



3. 'Storage', 'DHW', 'OP', 'CH overheat', 'Exhaust heat' Sensor detects



Error code	contents
E28	DHW NTC open or short
E33	OP NTC open or short
E35	Exhaust NTC open or short

SECTION 7. Trouble Shooting

7.1 Diagnostics

Question	Answer
Burner dose not ignite when the hot water is opened.	Make sure that the ON/OFF button on the Control Display has been turned ON.
	If the monitor on the Control Display is blank, make sure the power cord is plugged and 4A fuses on the main controller in the units are good.
	Make sure that there is water supplied to the unit. The unit activates once the inlet water flow is over 0 gpm.
	Make sure the cold and hot water lines are not plumbed in reverse side.
	Make sure that the cold water and gas supply lines are opened.
Water is not hot enough.	Check that the setting temperature on the unit is not too low
	Make sure that the filter in the cold water supply line is not clogged with debris.
	Make sure that the gas supply type is correct.
	Check the supply and manifold gas pressures are in accordance with specifications.
	Make sure that the water flow sensor with three wires has been properly connected on the top of heat exchanger.
Water is too hot.	Make sure that the setting temperature on the unit is not too hot.
	Make sure that the filter in the cold water supply line is not clogged with debris.
	Make sure that the gas supply type is correct.
Hot water temperature fluctuates at the opened tap.	Make sure that the filter in the cold water supply line is clean.
	Make sure that the gas supply type is correct.
	Check the supply gas pressure is sufficient.
The blower is still operating after the combustion stops.	This is normal because the blower keeps operating for 1 minute to vent (exhaust) the flue gas from the chamber once the combustion has stopped.
Temperature Rise too Quickly	Occurs when supply water temperature in heat exchanger rises faster than 2°F per second during the first two minutes the burner is on. Automatically resets after a few minute delay or using manual reset on Control Display. See message displayed TEMPERATURE SENSOR and follow procedure for loose connections.
Abnormal sounds come from unit during operation.	A leak of combustion gas between sealed chamber and exhaust tube inside the unit. Call a qualified service technician for evaluation.
	Improper venting termination, make sure that the venting termination complies with specification.
	Check the supply gas pressure is sufficient. Insufficient gas pressure will cause unstable burner flame and noise.

7.2 Suggested Corrective Actions

This controller is able to record information about the boiler's condition at the time of the five previous faults or errors. Refer to the Section '5.10 Error Mode' of this manual.

Display	Condition	Diagnostic	Corrective Action(s)
Nothing shown on display Control Display and blower running at full speed.	Control is not receiving power.	Check wiring for short circuit or incorrect wiring.	Correct wiring per wiring diagram including connection of transformer to the control.
		Check transformer connection to the control per wiring diagram. Check for 12V output of transformer.	Replace transformer if it is receiving 120V, but not outputting 12Vac.
Nothing is shown in display Control Display and no other boiler components are operating.	Control is not receiving 120V power.	Check service switch and/or circuit breaker to boiler turned is on.	Turn on service switch to power boiler.
		Is there 120 Volts at the service switch?	Troubleshoot and correct the power supply to the manual switch.
		Is the ON/OFF POWER SWITCH (inside boiler case) turned on?	Turn ON the manual power switch inside the boiler case.
		Check for 120 volts at the line voltage terminal block located inside the boiler case.	Correct wiring inside the boiler case using the wiring diagram in this manual.
		Inspect the fuse. Replace if necessary.	Replace the fuse with proper part found in the replacement part section of this manual. If fuse blows again recheck wiring per diagram.
Nothing is shown on Control Display, but boiler is operating.	Occurs when the communication is lost from the control to the display.	Check for loose connections and proper pin alignment/engagement on the Control's plug.	Check for continuity on the wire harness from the display to the control. See repair parts section for proper replacement part.
		Cycle power off and on using boiler power switch and check for operation.	Replace with new display module. See repair parts section for proper replacement part.

7.2 Suggested Corrective Actions (continued)

Fault	Condition	Diagnostic	Corrective Action(s)
TEMPERATURE SENSOR	Occurs when a temperature sensor has electrically shorted (SHORT) or has become disconnected (OPEN).	Reset using manual reset screen on Control Display. (Power button)	Check all the temperature readings of the boiler on the DIAGNOSTICS - TEMPERATURES menu to determine if any sensors are currently displayed as SHORT or OPEN.
			Check wire harness for loose connections and pin engagement at sensor Connection and Control module.
			If problem persists after checking items above replace Control. Refer to repair parts section for kit number.
FLAME FAULT	Occurs when flame is detected when there should be no flame.	Reset using manual reset screen on Control Display. (Power button)	Burner may be operating too hot due to incorrect combustion. Inspect flame and conduct combustion test.
			Check for flame at burner via flame current with burner off. Turn boiler off and watch flame through observation port. If flame continues after shutdown replace gas valve.
BLOWER FAULT	Blower unable to reach required speed or does not reach 0 RPM when turned off.	Reset using manual reset screen on Control Display. (Power button)	Check wire harness for loose connections and pin engagement at blower. Connections.
			Boiler in standby mode and blower not running. If BLOWER SPEED is not 0 RPM then replace blower.
			If blower does not rotate during ignition sequence check for 120V power at blower connection. If 120Vac power at blower motor and it doesn't start replace blower. Check power at Control. If 120Vac is not present at Control when boiler is powered replace Control.
IGNITION FAULT	Even if boiler went through 8 ignitron attempts, but cannot detect flame	Power off and on.	Dirty burner and/or heat exchanger will cause high back pressure and poor ignition. Visual inspection of flue ways often will not be able to diagnose condition.
			Check incoming gas pressure with boiler off and at Max fire. Adjust within limits on rating label.
			Check for flue pipe and intake pipe restrictions or blockage
			Check burner fasteners and gaskets
GAS VALVE FAULT	The Control has detected a problem with it gas valve output circuit.	Reset using manual reset screen on Control Display. (Power button)	Check wire harness connections between gas valve and Control.
			If lockout re-occurs replace Control.

SECTION 8. Maintenance

8.1 Annual startup & general maintenance

■ Regular Maintenance

- This Manual should be placed in a safe and dry location near the Boiler. Maintenance instructions should be carried out by the following guidelines.

■ Maintenance procedures [Daily]

- Check that the boiler casing is closed.

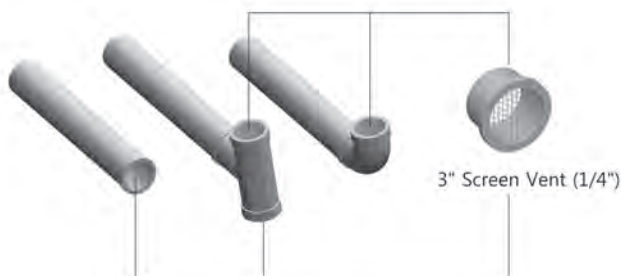
Check if there is any problem with the Boiler casing and the two upper and lower screws are tightened well. Boiler casing must be closed while it is running.

⚠ WARNING

To prevent potential severe personal injury, death or substantial property damage, remove all contaminated materials. If contaminants are found: Remove products immediately from the area. In order to check the status of Boiler, call a qualified service technician to inspect the Boiler for possible damage from acid corrosion.

⚠ WARNING

DO NOT store combustible materials, gasoline or any other flammable vapors or liquids near the Boiler. Remove them immediately or store them other places.



- Check the power source.

Make sure that the power cord is correctly connected. The main power line is connected to the manual switch box inside a Boiler. (Power line through the strain relief in the bottom of the boiler casing and fix it.)

- Check the status of the Control Display

Check status of the power supply. Please check for any debris on the button.

■ Maintenance procedures [Monthly]

- Check the vent pipe.

Visually inspect the flue gas vent piping for detecting any signs of blockage, leakage or deterioration of the piping. Please contact a qualified service technician immediately if you find any problem.

- Check the air inlet pipe.

Visually inspect the air inlet to be sure it is unobstructed. Inspect entire length of air piping for ensuring that piping is intact and all joints are properly sealed. Call your qualified service technician if you notice any problems.

- Check the relief valve.

Inspect the Boiler relief valve and the relief valve discharge pipe for any signs of weeping or leakage. If the relief valve often weeps, immediately contact your qualified service technician for inspecting the Boiler and system.

- Check the condensate outlet.

While the Boiler is running, check the discharge end of the condensate drain tubing.

Make sure that no flue gas is escaping from the condensate drain tubing.

If flue gas is continuously escaping, it is a serious problem. Call your qualified service technician for inspecting the Boiler and condensate line. Also, refill the condensate trap if problem persists regularly.

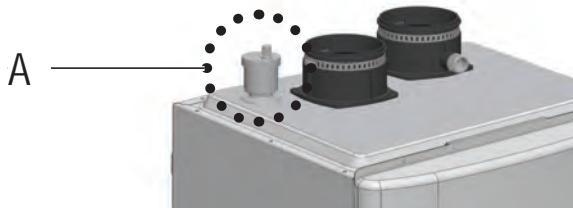
- Check the vent terminal screen vent (rodent screen).

If you encounter a problem of combustion specifications, visually inspect the terminal screen. And then replace it with spare parts or clean the screens.

8.1 Annual startup & general maintenance

- Check the air vent

If the air vent valve seems to work freely without leaking, replace cap "A" by twisting all the way on. Loosen cap "A" one turn to allow vent to operate. If vent does not operate correctly, replace the vent.



lever completely, the valve or discharge line may be blocked. Shut down the Boiler immediately. Call your qualified service technician to inspect the boiler and system.

- Check the burner state

You can clean the exterior of burner. However, if you need to clean the inside of the burner stage, you should call an expert.

■ Maintenance procedures [Every 6 Months]

- Check the boiler piping (gas and water)
Visually inspect for leaks around internal water piping. Also inspect external water piping, circulators, relief valve and fittings. Immediately call a qualified service technician to repair any leaks. Leaks must be fixed by a qualified service technician immediately.

Failure to comply with this instruction could result in severe personal injury, death or substantial property damage.

- Check the operate relief valve

 **WARNING**

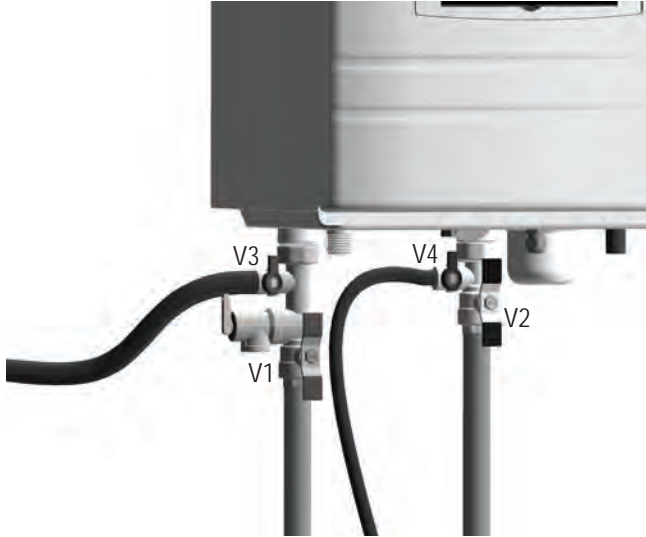
Leaks must be fixed by a qualified service technician immediately. Failure to comply with this instruction could result in severe personal injury, death or substantial property damage. This discharge line must be installed by a qualified heating installer or a service technician.

Before proceeding the procedures, verify that relief valve outlet has been piped to a safe place of discharge, avoiding any possibility of scalding from hot water. If water flows freely, release the lever and allow the valve to seat. Watch the end of the relief valve discharge pipe to ensure that the valve does not weep after the line has had time to drain. If the valve weeps, lift the seat again to attempt to clean the valve seat. If the valve continues to weep, contact your qualified service technician for inspecting the valve and system. If water does not flow from the valve even though you have lifted the

8.2 Flushing the Boiler

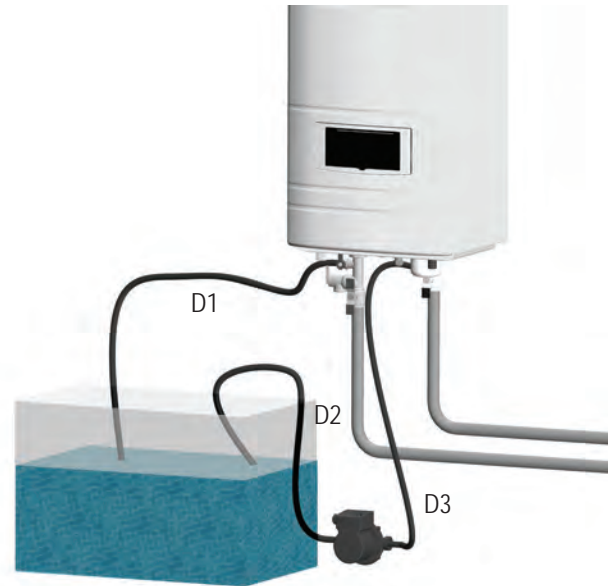
- Flushing the Boiler

Flushing the Heat Exchanger of boiler is a complicated procedure. Refer to the following instructions carefully before attempting the procedure. If you do not understand about the procedure, contact an authorized technician or licensed professional. Keep in mind that improper maintenance can void your warranty.



1. Disconnect electric power to the boiler.
2. Close the shutoff valves on both hot water outlet and cold water inlet lines. (V1 & V2)
3. Connect one hose "D1" to the valve "V3" and place the free end in the bucket. Connect one of the hoses "D3" to the circulation pump outlet and the cold water inlet line at the valve "V4". Connect other hose "D2" to the circulation pump inlet and place the free end in the bucket.

4. Pour the cleaning solution into the bucket. Place the drain hose (D1) and the hose (D2) to the pump inlet into the cleaning solution.
5. Open service valves (V3 & V4) on the hot water outlet and cold water inlet lines.
6. Turn on the circulation pump (Operate the pump and allow the cleaning solution to circulate through the boiler for at least 1 hour at a rate of 4 gallons per minute.)
7. Rinse the cleaning solution from the boiler as follows:
 - Remove the free end of the drain hose (D1) from the bucket.
 - Close service valve, (V4), and open shut off valve, (V2).
 - Do not open shut off valve, (V1).
 - Allow water to flow through the boiler for 5 minutes.
 - Close shut off valve (V2).
8. Disconnect all hoses.
9. Remove the cold water inlet filter from the boiler and clean out any residues.
10. Reinsert the filter and ensure the filter cap is securely tightened.
11. Connect electrical power to the boiler.



SECTION 9. Installation Check

9.1 Quick View

- **Before Installing**
 - Make sure that there is enough space for installing Water and gas line.
Verify vent/air termination is located as required.
 - All models need for propane Conversion which requires a separate gas conversion manual.
- **Install Water Piping**
 - Boiler loop piping must be sized to the minimums listed in the Boiler manual. Using smaller piping will cause performance problems.
- **Install Vent & Air Piping**
 - Slide the air inlet pipe and vent pipe into the Boiler pipe connector.
 - Make sure the terminations are placed as required in the manual and that air intakes are at least 12 inches above normal snow line.
 - Refer to the material check list in this guide for a list of items needed.
- **Install Condensate Piping / Tubing & Components**
 - Fill out the material check list in this guide to ensure you have the tubing or PVC pipe and all components needed for the condensate piping.
 - Connect internal components that are supplied with the Boiler.
- **Install Gas Piping**
 - Install a union and shutoff valve.
- **Wire the Boiler**
 - Connect power wiring and control wiring per boiler manual wiring diagram.(Section 4.19)
- **Start up, Adjust & Test**
 - Follow the Boiler manual instructions to clean the system if needed, then fill and check water chemistry.

9.2 Final Check Lists

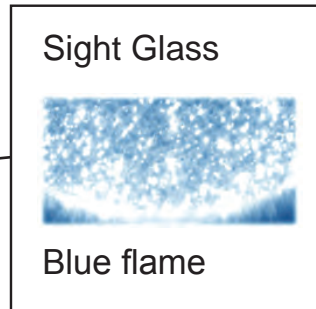
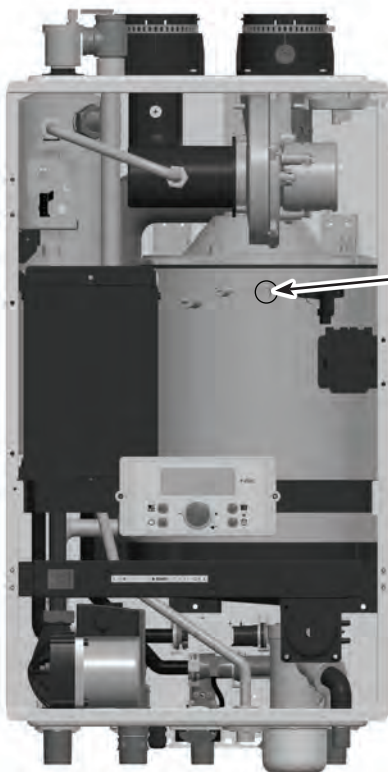
- **Final check : Installation Conditions.**
 - Is the Boiler properly mounted on the wall?
 - Is there space for a drain which is close to the Boiler?
 - Are there any combustible materials near the Boiler and vent pipe?
 - Is the air supply sufficient for proper operation of the Boiler?
 - Are the proper service clearances maintained?
 - Is the distance between the Boiler and point of vent termination minimized?
 - Is the proper distance from windows, doors, and other intake vents maintained?
- **Final check : Gas pipe installation**
 - Is the gas supply line equipped with a manual shut off valve?
 - Is the gas supply line a minimum of 3/4" inner diameter?
 - Is the gas supply line length and diameter adequate to deliver the required BTU's?
 - Has the gas supply line pressure been measured?
 - Does the supply gas type match the type indicated on the boiler rating plate?
- **Final check: Air/Vent pipe installation**
 - Has the Boiler been vented with 3" or 2" PVC, CPVC, Polypropylene or BH Special Gas Vent (S636 PVC, CPVC) for Category IV appliances in accordance with this manual and/or your local code?
 - Is the vent termination at least 12" above the exterior grade?
 - Is the total vent length within the maximum vent length restriction?
 - Have you checked the air/vent piping for leaks?
 - Have you properly supported the vent termination?
 - Are all vent runs properly supported?
 - Is the vent sloped upward toward the vent termination at a rate of 1/4" per foot (2% grade)?
- **Final check : Condensate drain installation**
 - Have you installed a condensate drain line from the Boiler to a drain or laundry tub?
- **Final check : Setting the DIP switches**
 - Are all DIP switches correctly set on the main board?

9.2 Final Check Lists (continued)

- Final check : Connecting the power supply
 - Please check that the power is 120V AC.
 - Have you checked the polarity of the electrical connection?

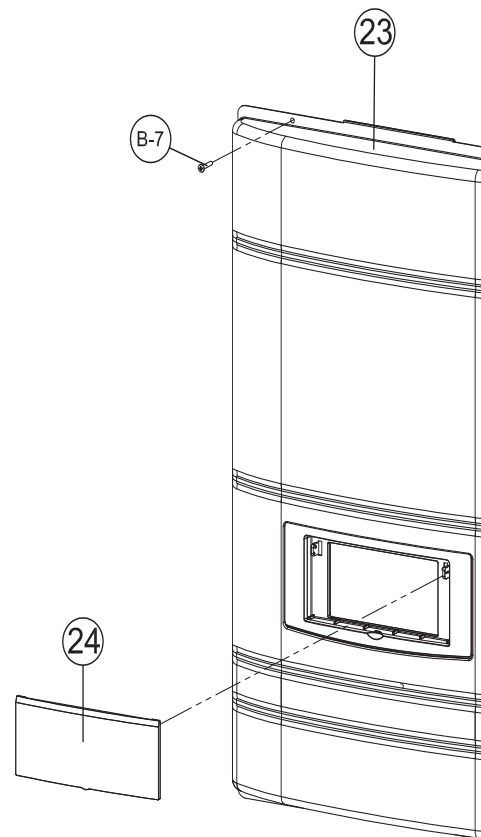
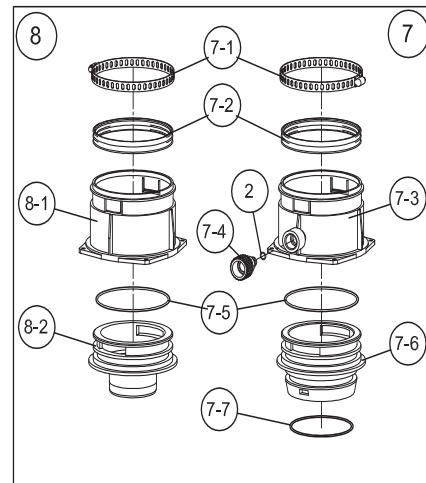
- Final check : Pressure relief valve
 - Have you installed an approved pressure relief valve on the boiler?
 - Is the pressure relief valve of CH Plumbing at least 1" in diameter?
 - Is the pressure relief valve of DHW Plumbing at least 3/4" in diameter?
 - Have you installed the pressure relief valve on the hot water outlet pipe near the Boiler?

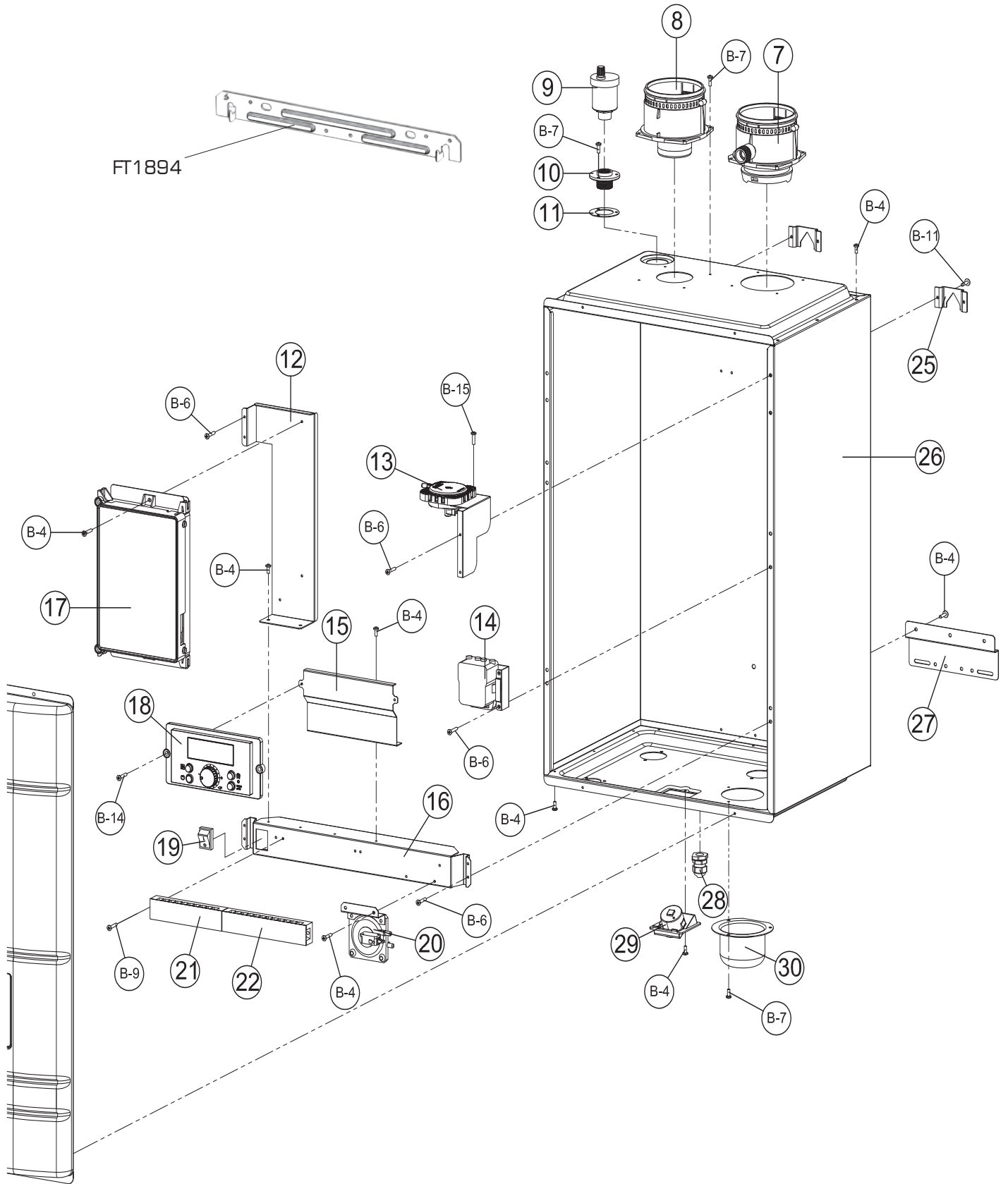
- Final check : Burner flames
 - The burner flame must be checked periodically for a constant proper blue color.
 - If the flame does not appear normal, the burner may need to be cleaned.
 - If the burner needs to be cleaned, it must be performed by a qualified service technician.



Casing Parts (80 MBH to 140 MBH)

No	Description	Part Number
2	O-Ring P7	FT1601
B-4	Bolt(M4*8 TH)	FT1614
B-6	Bolt(M4*10 FH)	FT1544
B-7	Bolt(M4* 10 TH)	FT1719
B-9	Bolt(M4*10 Flat)	FT1545
B-11	Bolt(M4*12 TH)	FT1534
B-14	Bolt(M4*20 TH)	FT1546
B-15	Bolt(M4*16 TH)	FT1547
7	Exhaust Vent Duct Ass'y	FT1002
7-1	Stainless band	FT1603
7-2	Packing	FT1604
7-3	Exhaust vent duct	FT1605
7-4	Exhaust testing cap	FT1606
7-5	O-Ring P85	FT1607
7-6	Exhaust vent adaptor (inside)	FT1608
7-7	O-Ring P75	FT1609
8	Air Inlet Duct Ass'y	FT1010
8-1	Air Inlet Duct	FT1611
8-2	Air Inlet adaptor (inside)	FT1612
9	Air Vent	FT1321
10	Air Vent adpator	FT1548
11	Air vent rubber cap	FT1013
12	Control Bracket	FT1049
13	Air pressure switch	FT1015
14	Ignition Transformer	ST1006
15	Control sub-bracket	FT1050
16	Bracket	FT1051
17	PCB Control NGTB-900CP	FT1052
18	Display Contol P-950EH	FT1053
19	Power Switch	FT1020
20	Condensate Blockage, Air Press Switch	FT1022
21	Terminal Block (6P)	FT1021
22	Terminal Block (12P)	FT1618
23	Front Cover	FT1054
24	Control Display cover / window	FT1024
25	Bracket	FT1055
26	Casing Ass'y (80,100K)	FT1851
	Casing Ass'y (120,140K)	FT1056
27	Bracket(Down)	FT1057
28	Wire adaptor	FT1633
29	Pressure gauge	FT1058
30	Condensate trap cover	FT1059



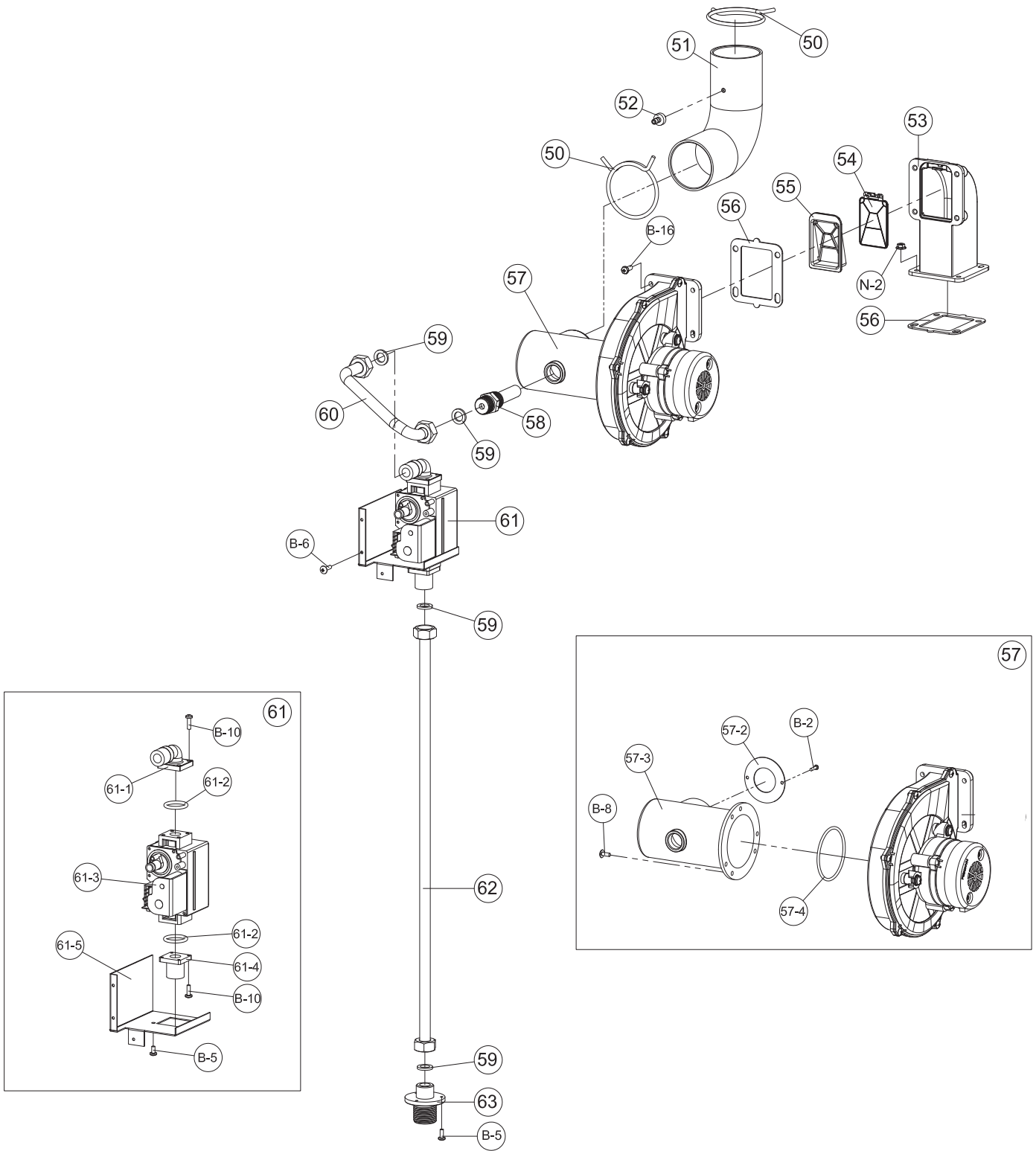


Heat Exchanger Parts (80 MBH to 140 MBH)

No	Description	Part Number
2	O-Ring P7	FT1601
3	O-Ring P22	FT1514
4	0.3" Packing	FT1060
5	3/4" Packing	FT1646
6	1" Packing	FT1691
N-1	M4 Nut	FT1061
B-1	M3*6 PH	FT1062
B-3	M4*8 PH	FT1063
B-5	M4*8 TH	FT1520
B-7	M4*10 TH	FT1719
B-8	M4*10 TH	FT1064
B-12	M4*14 PH	FT1065
B-13	M4*14 PW	FT1066
31	Exhaust Pipe	FT1067
32	Exhaust sensor BK	FT1529
33	Exhaust overheat sensor	FT1307
34	Piping connector (down)	FT1666
35	Heat Exchanger Ass'y (80,100K)	FT1852
	Heat Exchanger Ass'y (120,140K)	FT1068
35-1	Burner Ass'y	FT1309
35-2	Overheat sensor	FT1310
35-3	Burner upper case	FT1658
35-4	Ceramic Paper(TBD)	FT1659
35-5	Burner	FT1314
35-6	Burner case sealing O-ring	FT1661
35-7	Ingiter	FT1315
35-8	Ignitor Gasket	FT1316
35-10	Refractory	FT1665
38	Flame detector sensor Cover	FT1069
39	Flame detector sensor	FT1327
40	Flame detector sensor BK	FT1669
41	Outlet Pipe (80,100K)	FT1853
	Outlet Pipe (100,140K)	FT1070
42	CH return Pipe-1	FT1071
43	Pump	FT1672
44	CH return sensor	FT1635
45	CH return Pipe-2	FT1072
46	Condensate Trap Ass'y	FT1073
47	Condensate Drain Hose	FT1329
48	Clamp Φ 23	FT1682
49	Condensate trap connector	FT1330

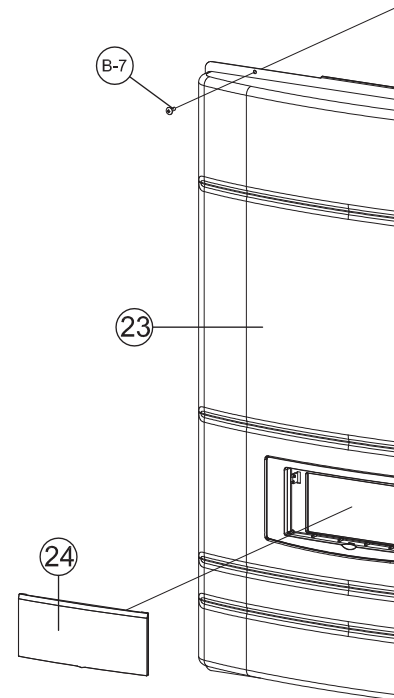
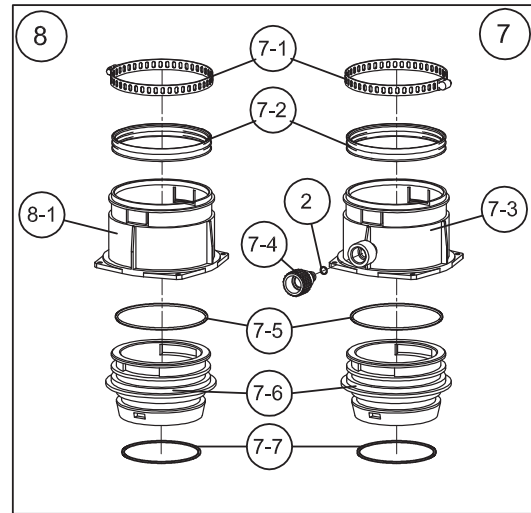
Blower Parts (80 MBH to 140 MBH)

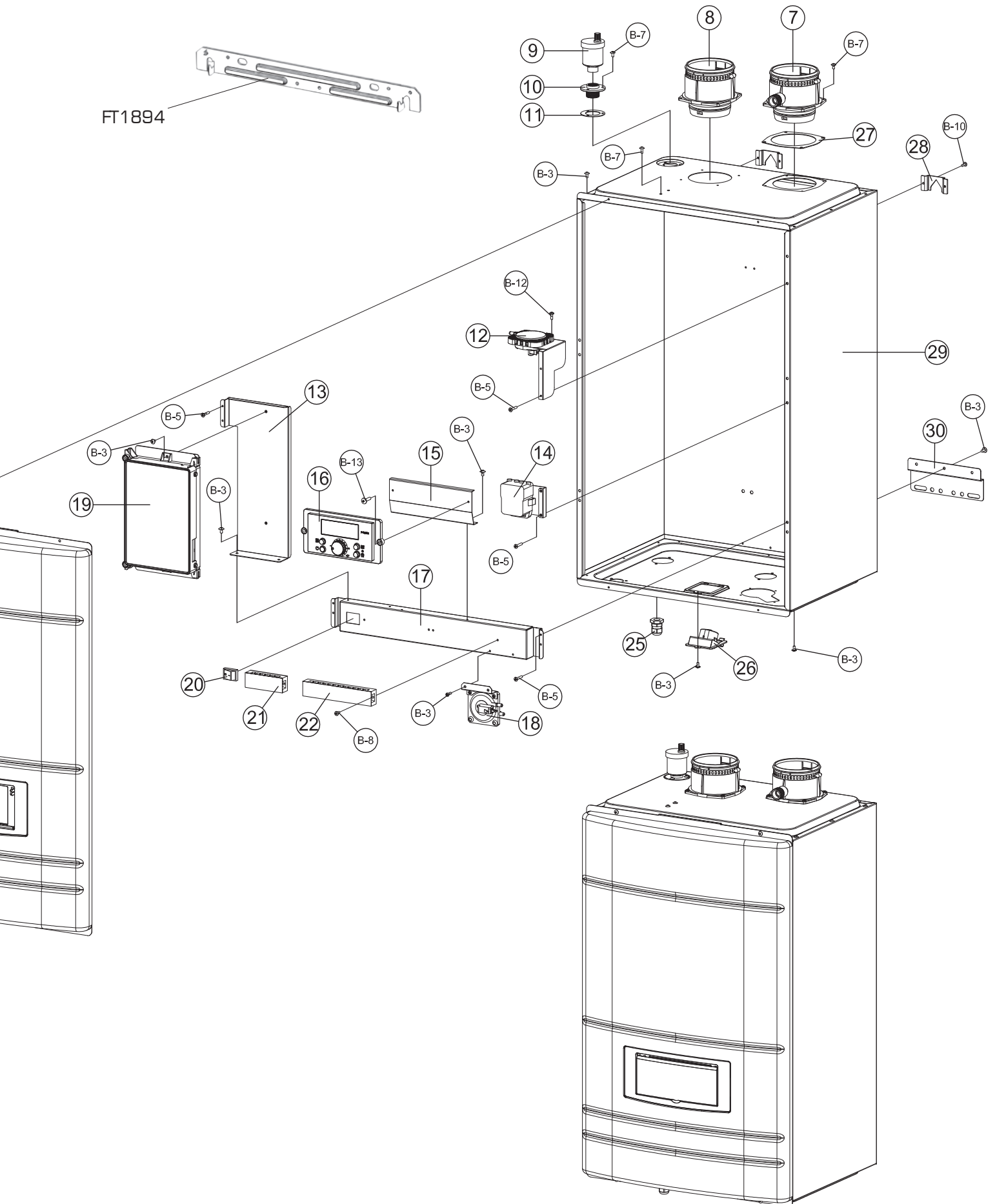
No	Description	Part Number
N-2	M5 Nut	FT1074
B-2	M3*12 PH	FT1075
B-5	M4*8 TH	FT1520
B-6	M4*10 FH	FT1544
B-8	M4*10 TH	FT1064
B-10	M4*12 PH	FT1076
B-16	M5*14	FT1077
50	Stainless Band (Φ60)	FT1078
51	Intake Hose	FT1533
52	Intake silicon adaptor	FT1713
53	Fan Guide	FT1079
54	Damper Packing	FT1080
55	Damper Body	FT1081
56	Fan rubber packing	FT1082
57	Fan Assembly, FT 80	FT1862
	Fan Assembly, FT 100	FT1863
	Fan Assembly, FT 120	FT1864
	Fan Assembly, FT 140	FT1405
57-2	Intake Orifice, FT 80	FT1865
	Intake Orifice, FT 100	FT1866
	Intake Orifice, FT 120	FT1867
	Intake Orifice, FT 140	FT1535
57-3	Gas Mixer housing	FT1409
57-4	Fan sealing O-Ring	ST1038
58A	Nozzle (natural / 80K)	FT1854
	Nozzle (natural / 100K)	FT1855
	Nozzle (natural / 120K)	FT1856
	Nozzle (natural / 140K)	FT1083N
58B	Nozzle (LP / 80K)	FT1857
	Nozzle (LP / 100K)	FT1858
	Nozzle (LP / 120K)	FT1859
	Nozzle (LP / 140K)	FT1083P
59	1/2" Packing	FT1421
60	Gas Pipe(upper / 80,100K)	FT1860
	Gas Pipe(upper / 120,140K)	FT1084
61	Gas Valve Ass'y	FT1413
61-1	Gas Valve outlet adaptor	FT1728
61-2	Gas Valve O-Ring	FT1727
61-3	Gas Valve	FT1537
61-4	Gas valve inlet adaptor	FT1538
61-5	Gas valve bracket	FT1539
62	Gas Pipe (lower)	FT1086
63	Gas Inlet adaptor	FT1087



Casing Parts (199 MBH)

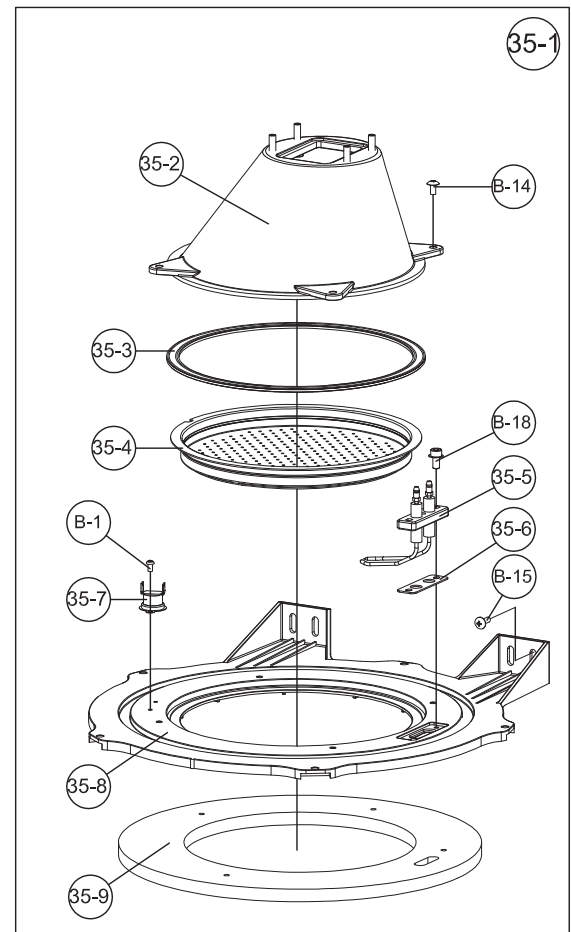
No	Description	Part Number
2	O-Ring P7	FT1601
B-4	M4*8 TH+ tapping	FT1614
B-6	M4*10 FH+ M/S	FT1544
B-7	M4*10 TH+ tapping	FT1719
B-9	M4*10 FH	FT1545
B-11	M4*12 TH+ M/S	FT1534
B-15	M4*16 TH+ tapping	FT1547
7	Exhaust Vent Duct Ass'y	FT1002
7-1	Stainless band	FT1603
7-2	Packing	FT1604
7-3	Exhaust Vent Duct	FT1605
7-4	Exhaust testing cap	FT1606
7-5	O-Ring P85	FT1607
7-6	Duct adaptors (inside)	FT1608
7-7	O-Ring P75	FT1609
8	Air Inlet Duct Ass'y	FT1010
8-1	Air Inlet Duct	FT1611
9	Air vent	FT1321
10	Air vent adaptor	FT1548
11	Air vent rubber cap	FT1013
12	Air pressure sensor	FT1015
13	Control bracket	FT1751
14	Ignition transformer	ST1006
15	Control sub bracket	FT1752
16	Control Display (P-950EH)	FT1620
17	Bracket	FT1753
18	Condensate blockage, air press switch	FT1022
20	power switch	FT1020
21	Terminal block (10P)	FT1021
22	Terminal block (12P)	FT1618
23	Front cover	FT1754
24	Control Display cover/window	FT1024
25	Wire adaptor	FT1633
26	Pressure gauge	FT1058
25	Bracket (upper)	FT1055
27	Intake/Exhaust sealing pad	FT1771
29	Case Ass'y	FT1755
30	Bracket (lower)	FT1057

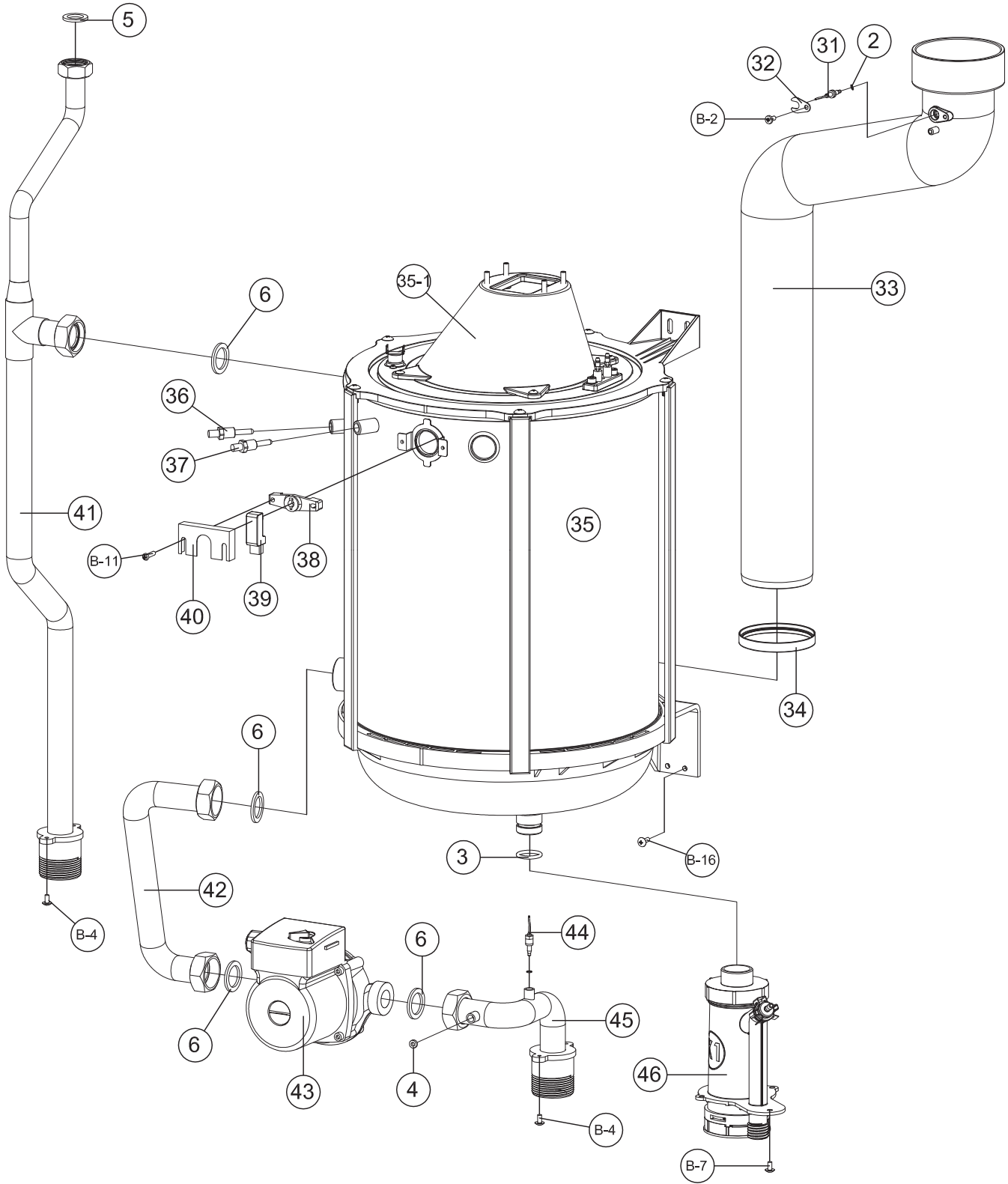




Heat Exchanger Parts (199 MBH)

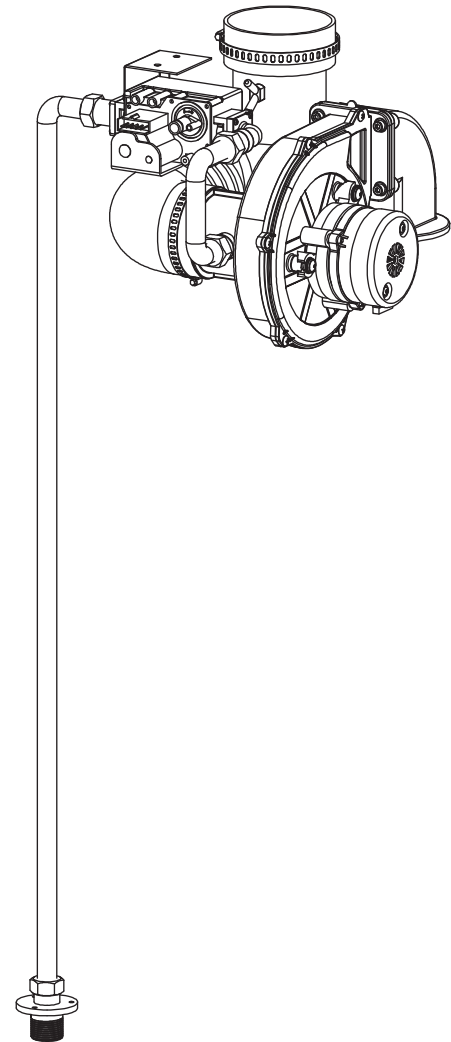
No	Description	Part Number
2	O-Ring P7	FT1601
3	O-Ring P22	FT1644
4	0.3" Packing	FT1060
5	3/4" Packing	FT1646
6	1" Packing	FT1691
B-1	M3*6 PH+ M/S	FT1062
B-3	M4*8 PH+ tapping	FT1063
B-4	M4*8 TH+ tapping	FT1614
B-5	M4*8 TH+ M/S	FT1520
B-7	M4*10 TH+ tapping	FT1719
B-8	M4*10 TH+ M/S	FT1064
B-11	M4*12 TH+ M/S	FT1534
B-12	M4*14 PH+ tapping	FT1065
31	Exhaust overhear sensor	FT1307
32	Exhaust sensor Bracket	FT1306
33	Exhaust pipe	FT1756
34	Exhaust pipe packing (lower)	FT1757
35	Heat exchanger ass'y	FT1758
35-1	Burner Ass'y	FT1759
35-2	Burner upper case	FT1760
35-3	Burner packing	FT1761
35-4	Burner	FT1762
35-5	Ignitor	FT1763
35-6	Ignitor gasket	FT1316
35-7	overheat sensor	FT1310
35-8	Burner down case	FT1764
36	Temperature sensor	FT1324
37	Low level sensor	FT1325
38	Flame detector bracket	FT1669
39	Flame detector sensor	FT1327
40	Flame detector sensor cover	FT1069
41	CH Outlet pipe	FT1765
42	CH Return pipe 1	FT1766
43	Pump	FT1767
44	CH return sensor	FT1635
45	CH Return pipe 2	FT1768
46	Condensate trap ass'y	FT1783

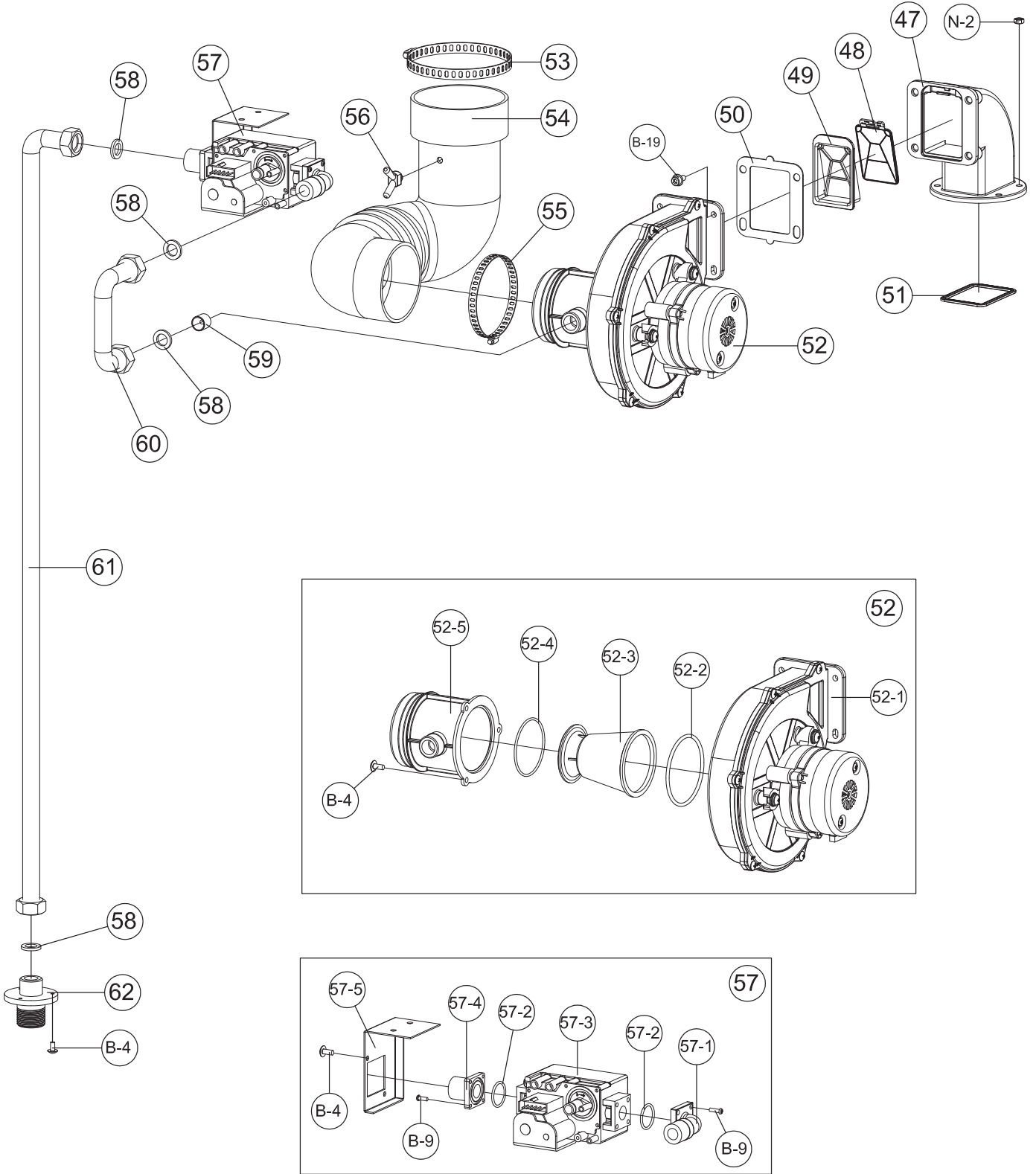




Blower Parts (199 MBH)

No	Description	Part Number
N-2	M5 NUT	FT1074
B-2	M3*12 PH+ tapping	FT1075
B-5	M4*8 TH+ M/S	FT1520
B-10	M4*12 PH+ M/S	FT1076
47	Fan guide	FT1769
48	Damper packing	FT1770
49	Damper body	FT1081
50	Fan rubber packing	FT1082
51	Fan guide packing	FT1772
52	Fan ass'y	FT1405
52-1	Fan	FT1406
52-2	Fan sealing O-Ring	ST1038
52-3	AGM venturi	FT1773
52-4	AGM O-Ring	FT1774
52-5	AGM Body	FT1775
53	Stainless band	FT1603
54	Intake hose	FT1776
55	Stainless band	FT1777
56	Intake adaptor	FT1713
57	Gas Valve ass'y	FT1778
57-1	Gas valve outlet	FT1728
57-2	Gas valve O-Ring	FT1727
57-3	Gas valve	FT1750
57-4	Gas valve inlet	FT1538
57-5	Gas valve bracket	FT1779
58	1/2" Packing	FT1421
59	Nozzle (natural)	FT1780
	Nozzle (LP)	FT1802
60	Gas pipe upper	FT1781
61	Gas pipe lower	FT1782
62	Gas inlet adaptor	FT1087





This page intentionally left blank

This page intentionally left blank

