

Also Available

Ox Box™ Ice Maker Outlet Box

Patent Pending

- Boxes mount securely to stud
- Durable ABS stands up to job site abuse
- Available with Mini-Rester water hammer arrester
- High-quality, North American quarter-turn ball valve

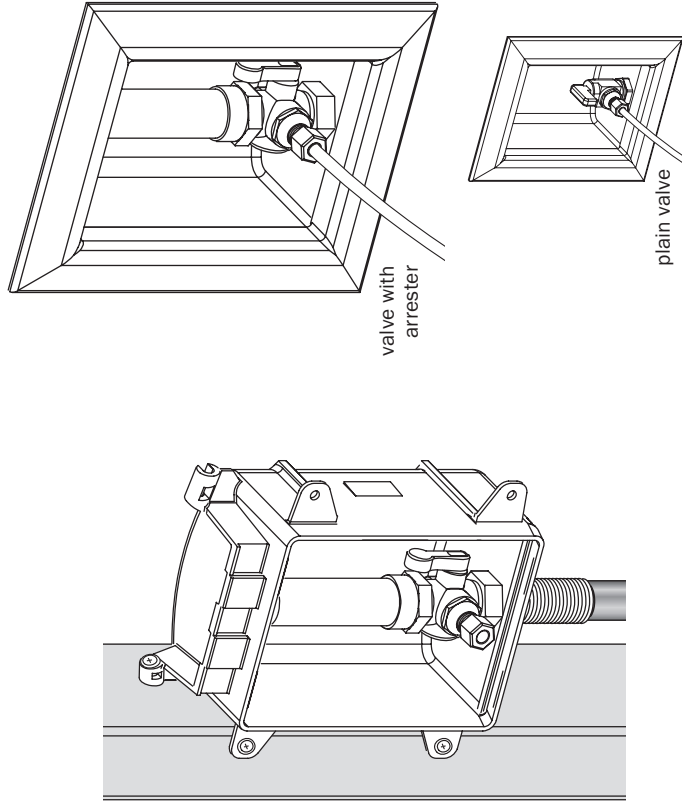
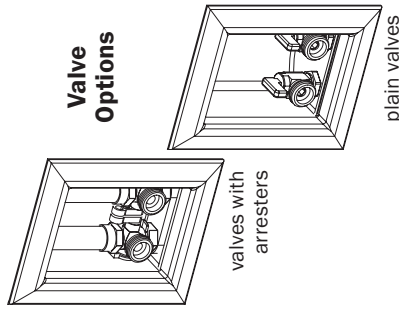
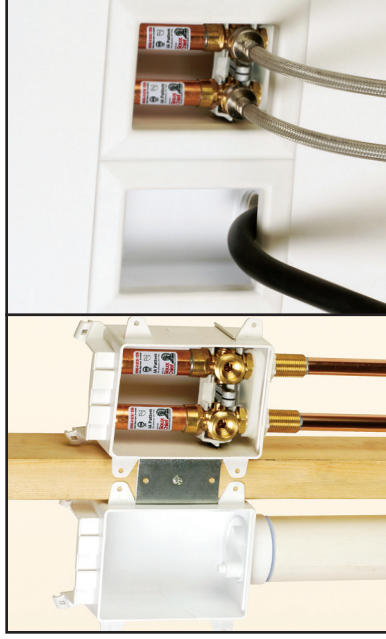
Ox Box™

Washing Machine Outlet Box

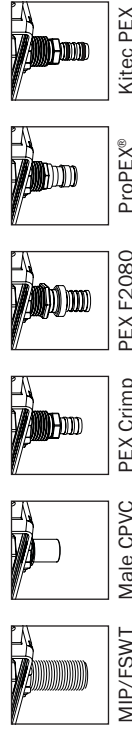
Patent Pending



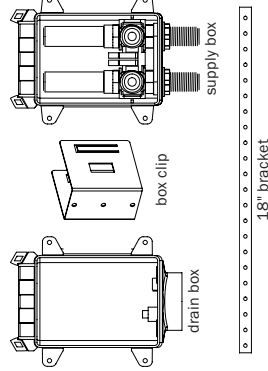
Installation Instructions



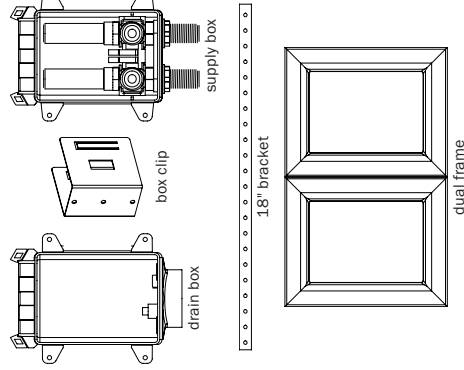
1/2" Nominal Shank Connections Available



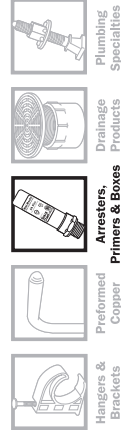
Rough-in Pack



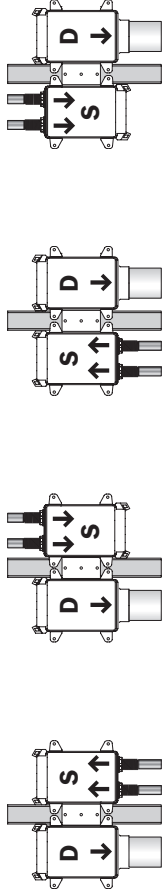
Standard Pack



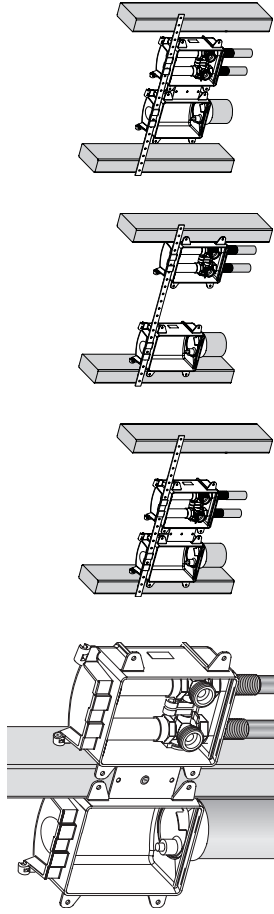
ORDER FRAMES SEPARATELY



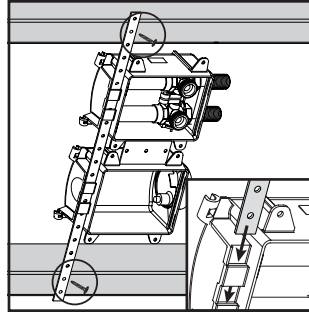
Determine Configuration of Boxes



Determine Placement of Boxes

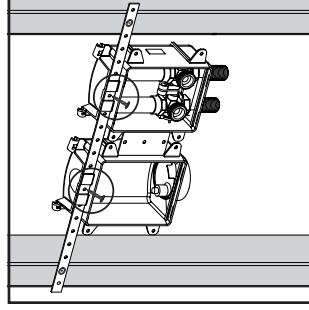


Between Studs



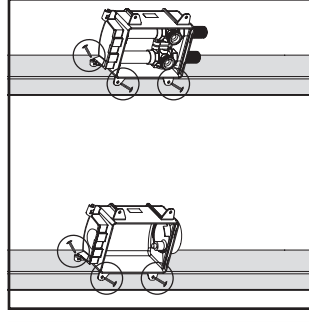
Slide bar into top channel. Secure bar to studs. Add bar to bottom as desired.

Between Studs



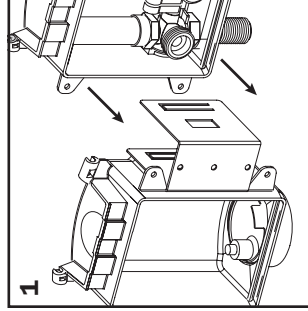
Screw boxes to bracket (screw through bracket first).

Separate Stud Bays



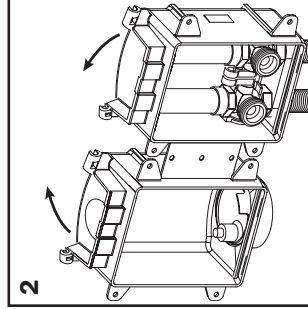
Nail to studs using the top nailway and front two nailway tabs.

Straddle Stud Installation



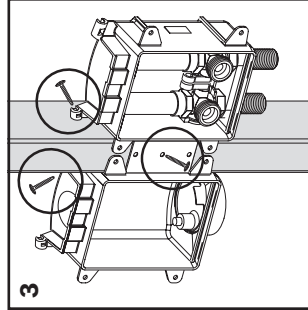
1

Clip boxes together in desired configuration. Clip slides into tracks.



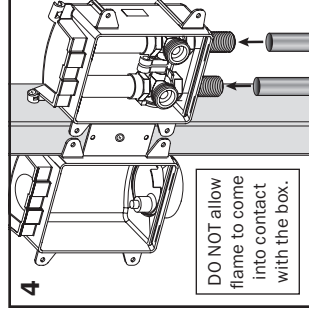
2

Gently bend boxes together. This will allow the boxes to hold onto the stud.



3

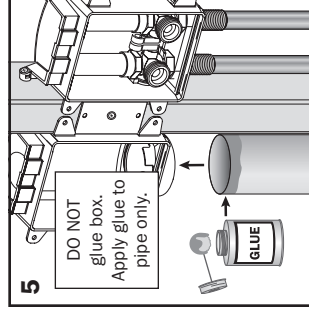
Secure with nails/screws in the middle of the box clip and the top nailways.



DO NOT allow flame to come into contact with the box.

4

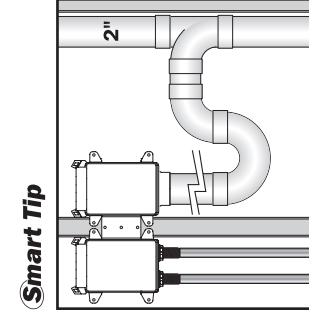
Plumb the supply lines in the typical manner. Open valves before soldering.



DO NOT glue box. Apply glue to pipe only.

5

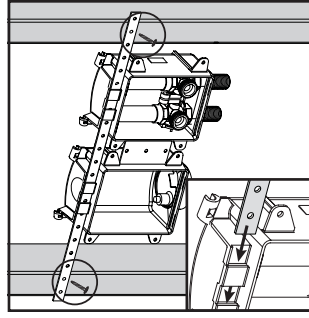
Plumb the drain line in the typical manner. Wait for glue to cure before testing.



Smart Tip

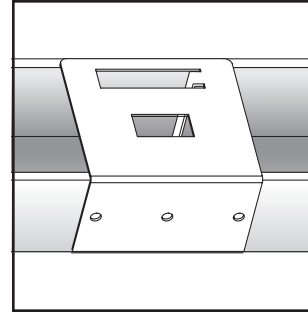
Straddle stud installations allow for the drain and vent pipe to easily be installed in same stud bay.

Metal Stud Support



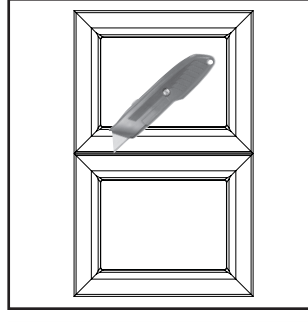
Tabs fold into metal stud for added rigidity.

To Separate Boxes



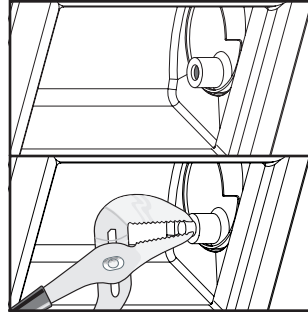
To separate boxes, slide a thin, hard material (pocket knife) between the box and clip.

To Cut Frame



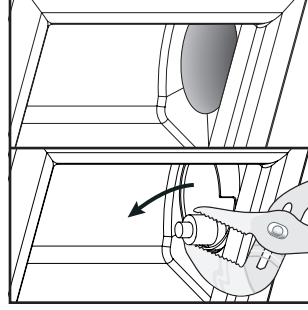
If boxes are separate (see above), cut the frame to create individual frames.

Test the System



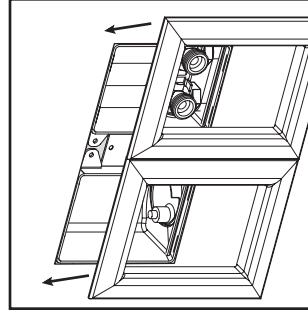
Twist off small tip. Connect 5/8" O.D. compression fitting for air or water test.

Remove Test Cap



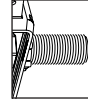
Remove the test cap by clamping and twisting off the test nipple.

Install Frame

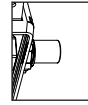


Install the frame after the wall has been finished.

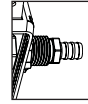
1/2" Nominal Shank Connections Available



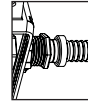
MIP/FSWT



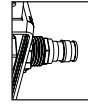
Male CPVC



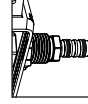
PEX Crimp



PEX F2080



ProPEX®



Kitec PEX