

PROJECT: _____	UNIT TAG: _____	QUANTITY: _____
REPRESENTATIVE: _____	TYPE OF SERVICE: _____	DATE: _____
ENGINEER: _____	SUBMITTED BY: _____	DATE: _____
CONTRACTOR: _____	APPROVED BY: _____	DATE: _____
	ORDER NO.: _____	DATE: _____

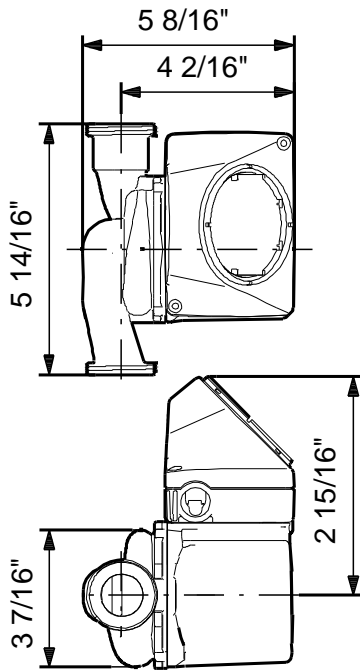


UP 15-29 SUC/TLC

Circulator pumps

Product photo could vary from the actual product


Conditions of Service	Pump Data	Motor Data
Flow: _____	Maximum operating pressure: 145 psi	Max. power input: 87 W
Head: _____	Liquid temperature range: 35.6 .. 230 °F	Rated power - P2: 0.121 HP
Efficiency: _____	Maximum ambient temperature: 104 °F	Rated voltage: 115 V
Liquid: _____	Approvals: UL, CSA	Main frequency: 60 Hz
Temperature: _____	Type of connection: S.S. Union	Insulation class: F
NPSH required: _____	Flange standard: USA Threaded	Motor protection: Contact
Viscosity: _____	Pipe connection: 1 1/4" NPSM	Thermal protection: internal
Specific Gravity: _____	Product number: 59896777	



Materials:

Pump housing: Stainless steel
DIN W.-Nr. 1.4301
AISI 304
Impeller: Composite, PES



Position	Count	Description
	1	<p>UP 15-29 SUC/TLC</p>  <p style="text-align: center;">Product photo could vary from the actual product</p> <p>Product No.: 59896777</p> <p>The pump is of the canned rotor type, i.e. pump and motor form an integral unit without shaft seal and with only two gaskets for sealing. The bearings are lubricated by the pumped liquid. The pump is characterized by:</p> <ul style="list-style-type: none"> * Ceramic shaft and radial bearings. * Carbon axial bearing. * Stainless steel rotor can and bearing plate. * Corrosion-resistant impeller, Composite, PES. * Stainless steel pump housing. <p>The motor is a 1-phase motor. No additional motor protection is required.</p> <p>Liquid: Liquid temperature range: 35.6 .. 230 °F</p> <p>Technical: Approvals on nameplate: UL, CSA</p> <p>Materials: Pump housing: Stainless steel DIN W.-Nr. 1.4301 AISI 304 Impeller: Composite, PES</p> <p>Installation: Maximum ambient temperature: 104 °F Ambient max at 176°F liquid: 176 °F Maximum operating pressure: 145 psi Flange standard: USA Threaded Type of connection: S.S. Union Pipe connection: 1 1/4" NPSM Pressure stage: 10 Port-to-port length: 5 7/8 in</p> <p>Electrical data: Number of poles: 2 Max. power input: 87 W</p>



Company name: PexUniverse.com
Created by: Tech Support
Phone: 800-818-3201
Fax: 800-818-3211
Date: 03/27/2014

Position	Count	Description
		Rated power - P2: 0.121 HP Main frequency: 60 Hz Rated voltage: 1 x 115 V Current in speed 3: 0.75 A Capacitor size - run: 10 µF/180 V Insulation class (IEC 85): F Others: Gross weight: 6.2 lb

Description	Value
Product name:	UP 15-29 SUC/TLC
Product No.:	59896777
EAN:	5700837427951
Price:	On request

Technical:	
Speed Number:	1
Max flow:	20.7 US gpm
Head max:	9.84 ft
Approvals on nameplate:	UL, CSA
Valve:	pump with built-in isolating and non-return valves

Materials:	
Pump housing:	Stainless steel DIN W.-Nr. 1.4301 AISI 304
Impeller:	Composite, PES

Installation:	
Maximum ambient temperature:	104 °F
Ambient max at 176°F liquid:	176 °F
Maximum operating pressure:	145 psi
Flange standard:	USA Threaded
Type of connection:	S.S. Union
Pipe connection:	1 1/4" NPSM
Pressure stage:	10
Port-to-port length:	5 7/8 in

Liquid:	
Liquid temperature range:	35.6 .. 230 °F

Electrical data:	
Number of poles:	2
Max. power input:	87 W
Rated power - P2:	0.121 HP
Main frequency:	60 Hz
Rated voltage:	1 x 115 V
Current in speed 3:	0.75 A
Capacitor size - run:	10 µF/180 V
Insulation class (IEC 85):	F
Motor protection:	Contact
Thermal protec:	internal

Controls:	
Pos term box:	9H

Others:	
Gross weight:	6.2 lb

